

Assembly instructions for 7ft XB Module.

Fasteners.

XB-7

Tools needed:

- (1) Hammer
- (1) Power drill
- (1) Level
- *Suggested 18 gauge Brad Gun with 1/4" brad nails will make install easier.

Parts List:

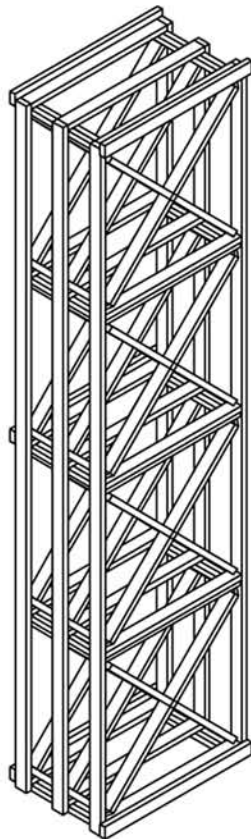


- (6) 2 1/2" Phillips screws for attaching to wall.
- (3) 1/4" Joining Screws to attach to other modules.
- (20) 1/4" Shelf Screws

(30) nails



(8) Drywall Inserts



Assembly instructions for 7ft XB Module. Racking. XB-7

(1) Left
End
Ladder
84"

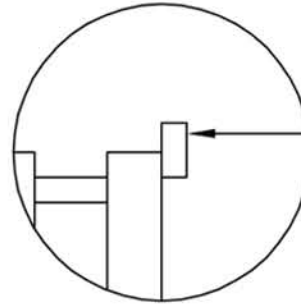
1x1 rungs
are set
back on
front.

Part No.:
LDR-?^{*}84L4

(1) Right
End
Ladders
84"

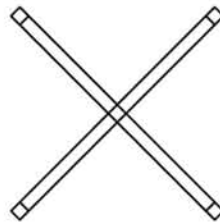
Part No.:
LDR-?^{*}84R4

Diagram of 1x2 Top Front
Trim in the "up" position



(1) 1x2 Front Trim

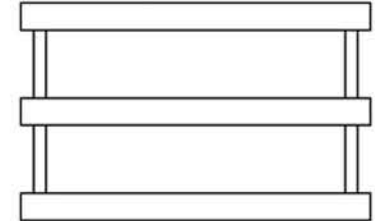
Part No.: XBIN-?^{*}28
(4) "X" Inserts 26 7/16"



Part No.: ?^{*}TRIM1X2
(5) 1x2 Trim (2) for front (3) for back 20 3/4"



Part No.: SHELF-?^{*}19
(5) Pre-assembled shelves 19 1/4"

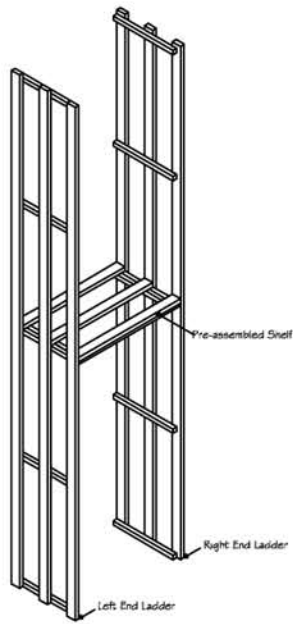


*When ordering replacement parts, replace the ? in the part number with the letter that matches the type of wood racking you have.

C=Cedar R=Redwood M=Mahogany

(ex: LDR-C84L4 for cedar wood racking)

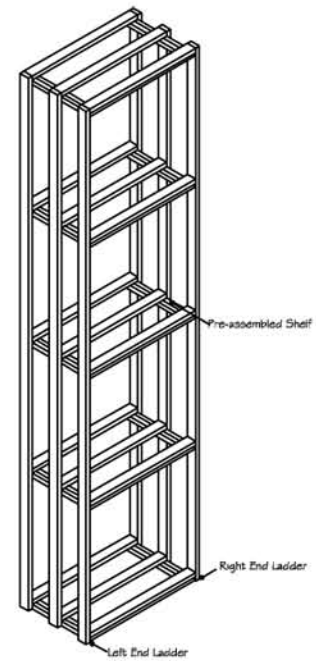
step 1



Step 1: (Attaching middle shelf to end ladders)

Arrange the right and left end ladders, making sure the set backs of the rungs are facing forward and place one of the pre-assembled shelves on the third rung. The front of the shelf has a 1x1 trim piece fastened under the 1x2 cross support. From the inside, either brad nail or screw the shelves onto the rung in two places.

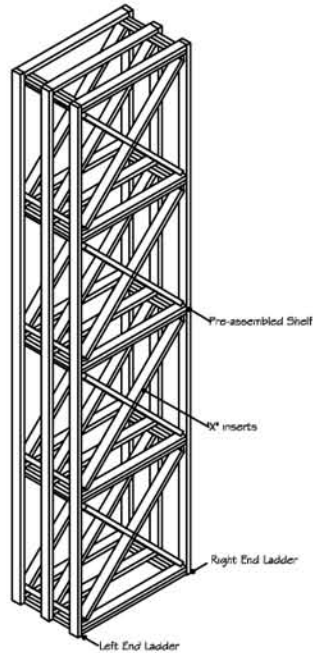
step 2



Step 2: (Attaching remaining shelves to end ladders)

Place the other three shelves onto the remaining four rungs and attach in the same way as in Step 1. Make sure the shelves with the trim pieces are facing the front.

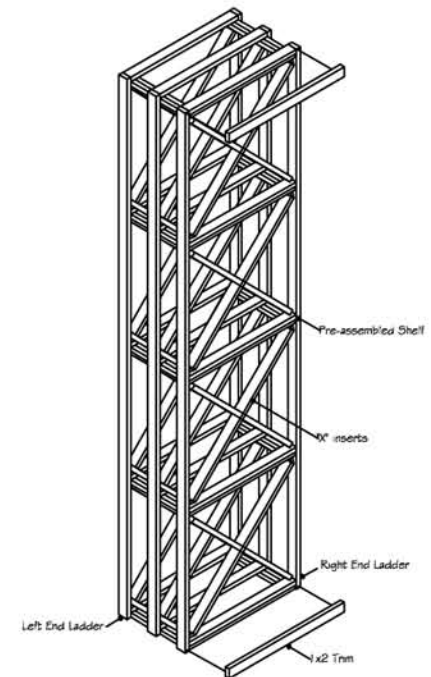
step 3



Step 3: (Inserting "X" inserts)

The four "X" inserts are shipped flat. Take the "X" inserts and make them into an "X" shape by inserting the center slot of one piece into the other piece. Place each "X" into a bin opening. They can be placed into the bin opening or they can be nailed into the bin opening. Either way is fine.

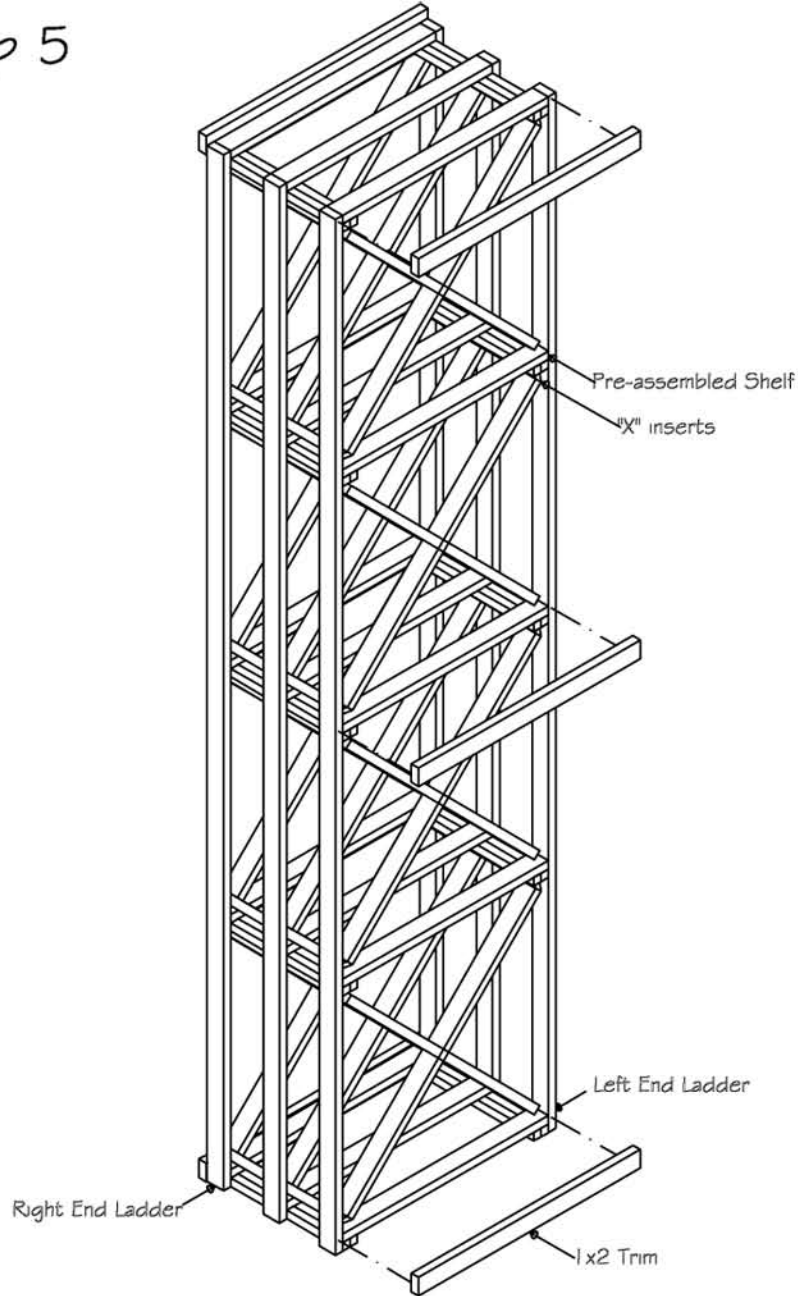
step 4



Step 4: (Attaching 1x2 trim to front of rack)

Take the two 1x2x20 3/4" trim pieces and attach them to the 1st and 4th shelf from the bottom to the top. Both of these should be placed so the remaining trim is up.

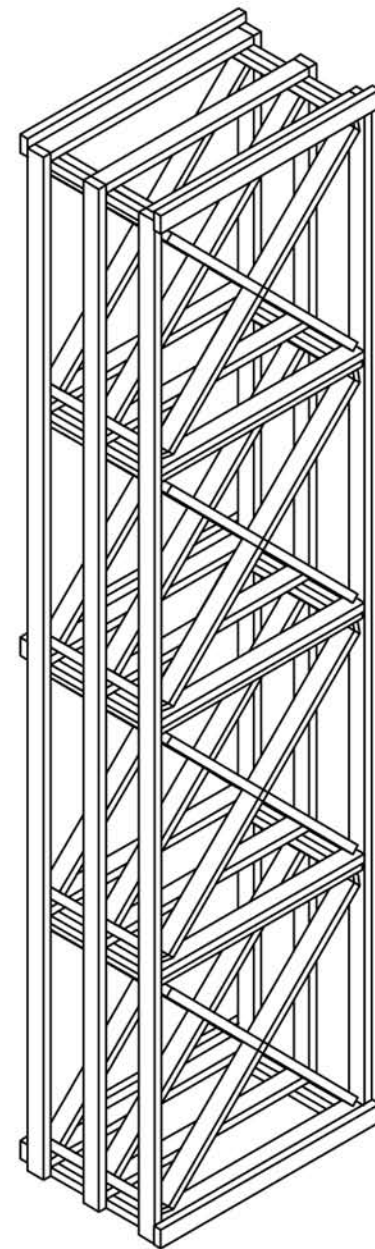
Step 5



Step 5: (Attaching 1x2 trim to back of rack)

Take the last three 1x2x20³/₄" trim pieces and attach them to the 1st, 3rd and 5th shelf from the bottom to the top. All of these should be placed so the remaining trim is up. The exposed area of the trim will be used to screw through into the wall to secure the rack to the wall.

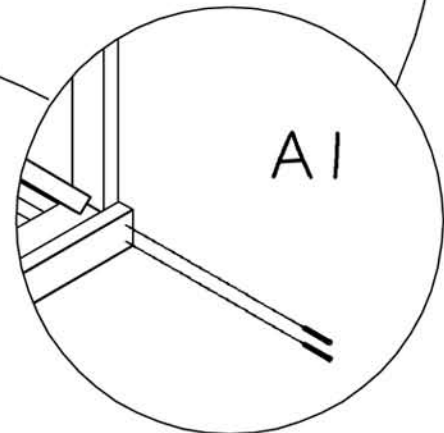
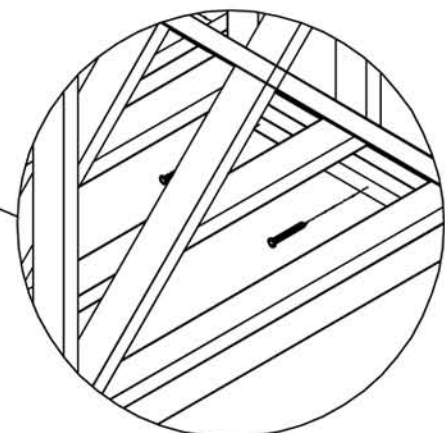
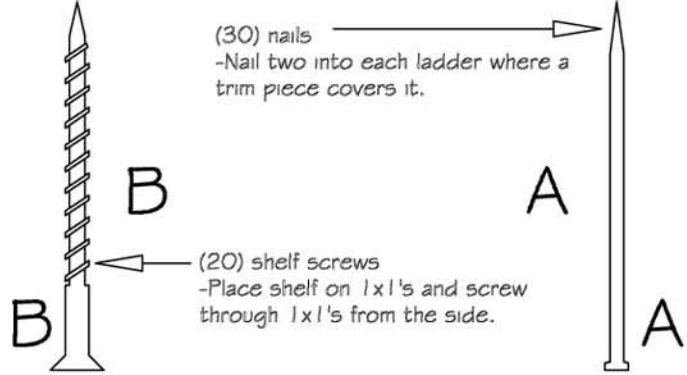
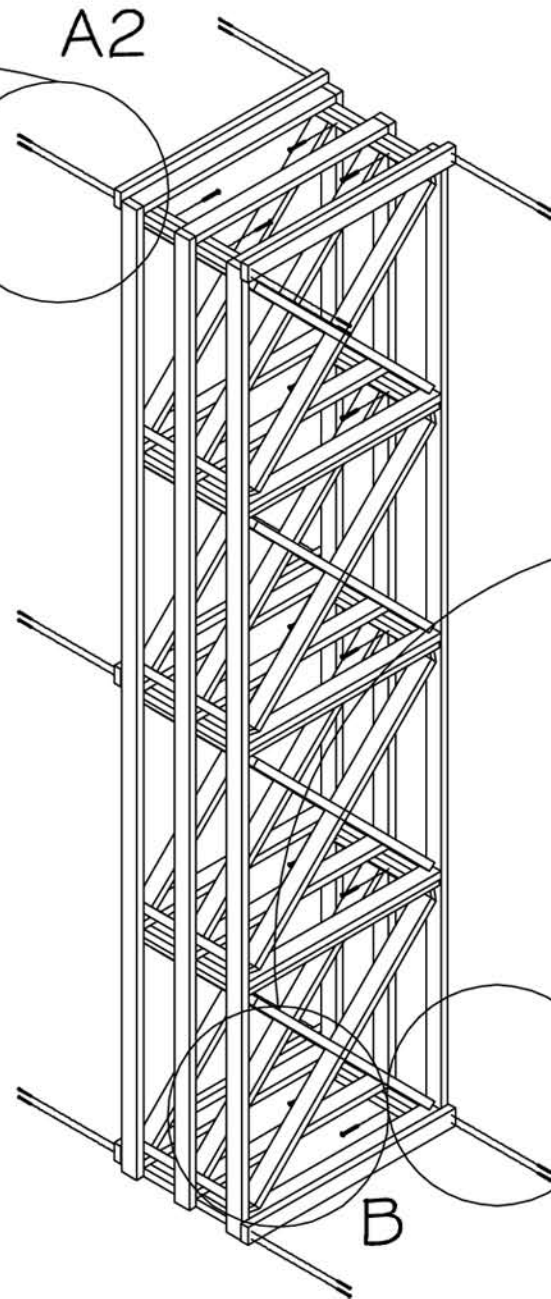
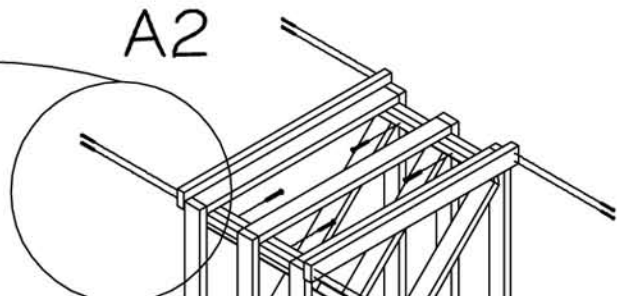
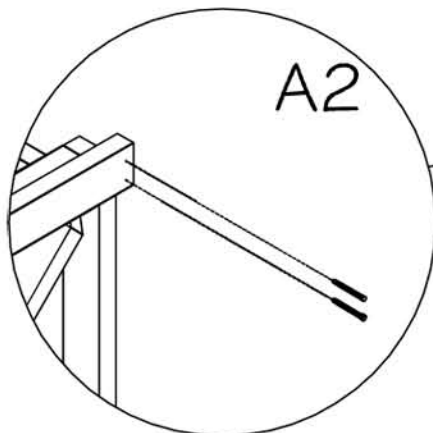
Finish



Step 6: (Finish)

Fasten to the wall through the back supports using the 2¹/₂" screws and using a level to make sure the rack is mounted square on the wall.

Fastener Placement Guide



A1

B