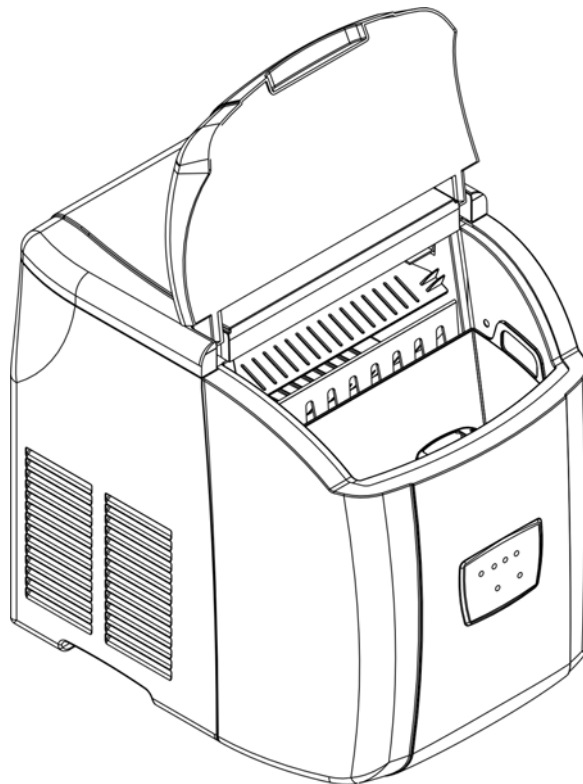


# Vinotemp®

A PROUD HERITAGE OF EXPERIENCE & QUALITY



## Portable Ice Maker

VT-ICEMP25

OWNER'S MANUAL



WWW.VINOTEMP.COM

# TABLE OF CONTENTS

BEFORE USING .....	4
IMPORTANT SAFETY INSTRUCTIONS .....	4
ICE MAKER DIAGRAMS.....	5
PROCEDURES & MAINTENANCE .....	6
GETTING STARTED .....	6
CONNECTING YOUR ICE MAKER.....	6
CLEANING AND MAINTAINING YOUR ICE MAKER.....	6
OPERATING YOUR ICE MAKER .....	7
PROBLEMS WITH YOUR ICE MAKER.....	8
TECHNICAL SPECIFICATIONS.....	9
TERMS OF SALE AND WARRANTY .....	10

## BEFORE USING

- Before connecting the appliance to a power supply, let unit stand upright overnight. This will reduce the possibility of the cooling system malfunctioning due to improper handling during shipping.
- Clean your unit thoroughly before putting into use.
- Use the parts diagram on page 5 to insure proper positioning of internal components.

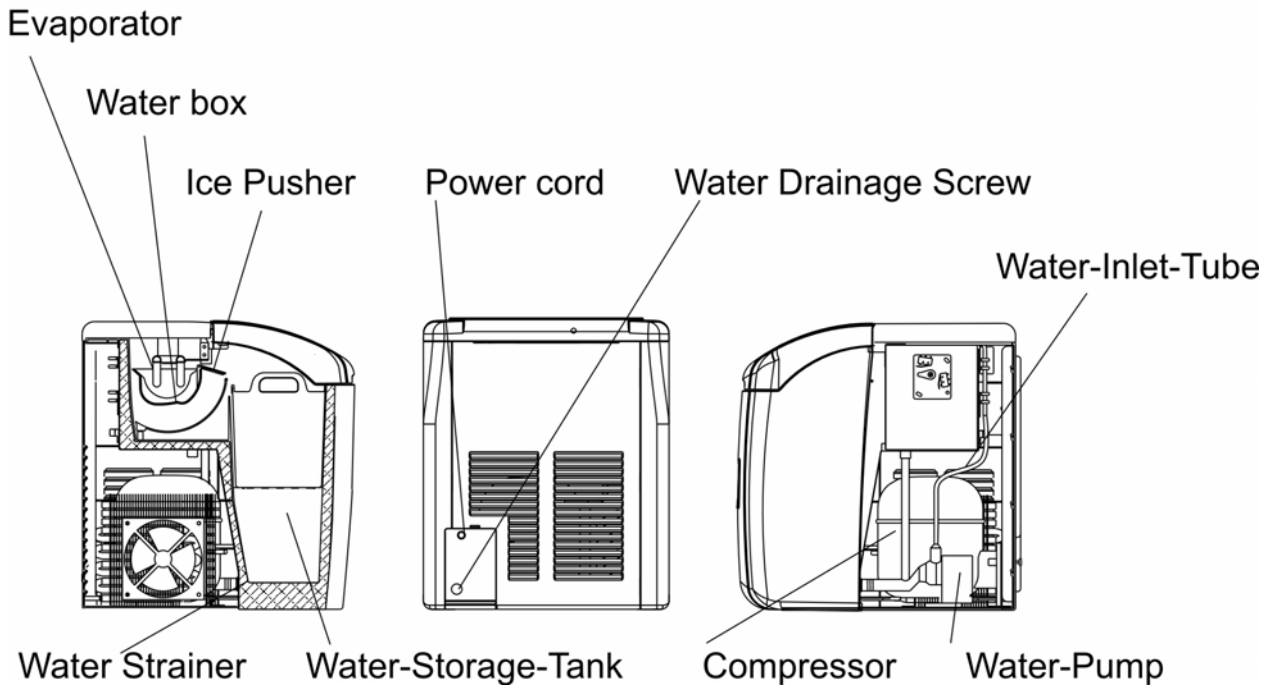
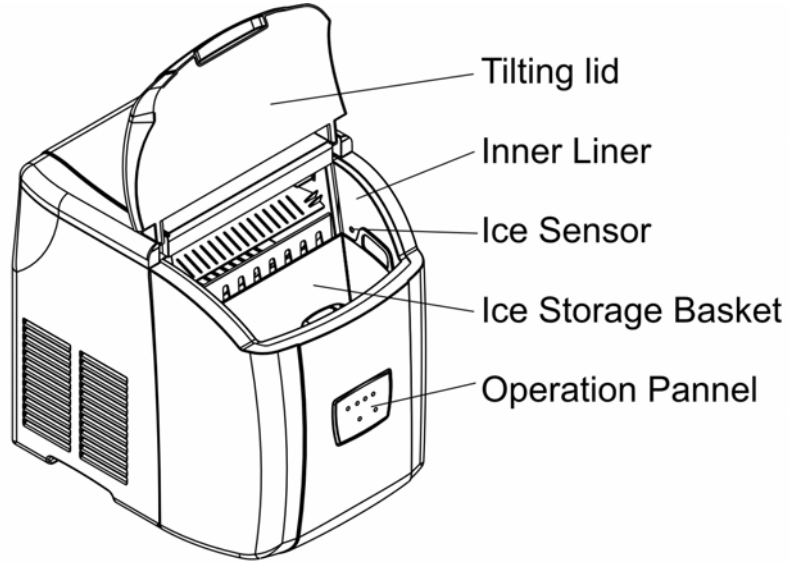
## IMPORTANT SAFETY INSTRUCTIONS

**⚡ WARNING ⚡**

**To reduce the risk of fire, electrical shock or injury when using your appliance, follow these basic precautions:**

- Do not operate this or any other appliance with a damaged cord.
- Connect to properly polarized outlets only. No other appliance should be plugged into the same outlet. Be sure that the plug is fully inserted into the receptacle.
- Do not run cord over carpeting or other heat insulators; do not cover cord. Keep cord away from traffic areas and do not submerge in water.
- We do not recommend the use of an extension cord, as it may overheat and become a fire risk. However, if you still elect to use an extension cord, it is absolutely necessary that it be a UL Listed 3-wire grounding type appliance extension cord having a 3-prong grounding plug and a 3-slot receptacle that will plug into the appliance. The marked rating of the extension cord should be 115 V, 15 A
- Unplug the ice maker before cleaning it or making repairs.
- Exercise caution and use reasonable supervision when appliance is used near children.
- Do not clean your ice maker with flammable fluids. The fumes can create a fire hazard or explosion.
- Do not tip over.
- Do not operate with side or back panels removed.
- If the ice maker is brought in from outside in wintertime, give it a few hours to warm up to room temperature before plugging it in.
- Ice maker is intended for household use.
- For use in a controlled ambient location such that the ambient temperature does not exceed 90°F (32°C) and is not below 60°F (16°C).

# ICE MAKER DIAGRAMS



## PROCEDURES & MAINTENANCE

### GETTING STARTED

1. Remove the exterior and interior packaging. Check that ice basket and ice scoop are included. If any parts are missing, please contact the vendor.
2. Clean the interior with lukewarm water and a soft cloth. Take out the ice basket and clean it.
3. Find a location for your ice maker that is protected from direct sunlight and other sources of heat (i.e., stove, furnace, radiator). Place the ice maker on a level surface. Make sure that there is at least 5 inches of space between the back and sides of your ice maker and the wall.
4. Allow the refrigerant to settle overnight before plugging in ice maker.
5. The appliance must be positioned so that the plug is accessible.

**Warning: Improper use of the grounded plug can result in the risk of electrical shock. If the power cord is damaged, have it replaced by an authorized products service center.**

### CONNECTING YOUR ICE MAKER

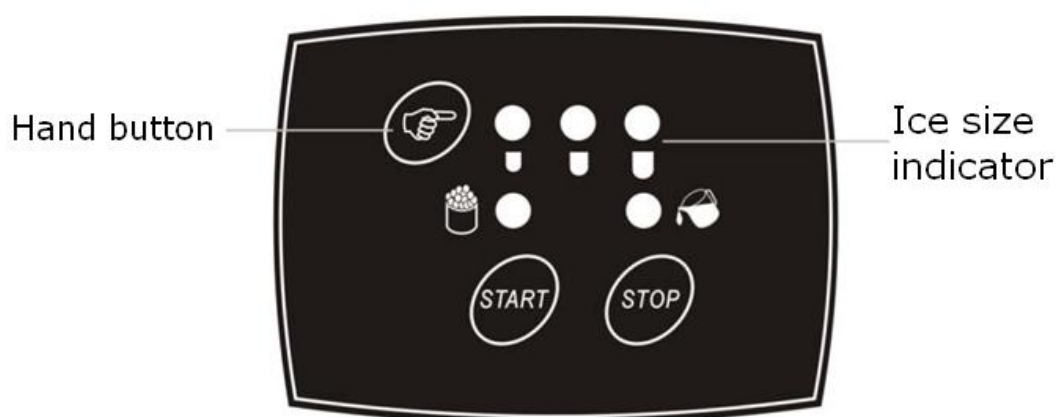
1. This unit should be properly grounded for your safety. The power cord of this appliance is equipped with a three-prong plug which mates with standard three prong wall outlets to minimize the possibility of electric shock.
2. Plug your appliance into an exclusive, properly installed, grounded wall outlet. Do not under any circumstances cut or remove the third (ground) prong from the power cord. Any questions concerning power and/or grounding should be directed toward a certified electrician.
3. This appliance requires a standard 110~120 volt, 60Hz electrical outlet with three-prong ground.

### CLEANING AND MAINTAINING YOUR ICE MAKER

Before using your ice maker, it is recommended that you clean it thoroughly.

1. Take out the ice basket.
2. Clean the interior with diluted detergent, warm water and a soft cloth.
3. The outside of the ice maker should be cleaned regularly with a mild detergent solution and warm water.
4. Dry the interior and exterior with a soft cloth.
5. When the machine is not in use, open the water drain cap to completely drain the water reservoir.

## OPERATING YOUR ICE MAKER



1. Select the size of the ice by pressing the "HAND" button. If the room temperature is lower than 60°F, it is best to select the small or medium ice size, otherwise the ice might stick together.
2. Open the cover, remove the ice basket and pour water into tank.
3. Keep water level below the "Fill Line."
4. Press "START" on the control panel to begin the ice making cycle.
5. The ice making cycle lasts 7 to 15 minutes, depending on the ice size selected. Larger sizes will take longer to produce.
6. While the ice maker is on, verify the water level periodically. If the water level is too low, the ice maker will stop automatically, and the "Add Water" indicator will turn on.
7. Press the "STOP" button, fill the unit with water, and then press the "START" button.
8. Allow the refrigerant inside the compressor at least 3 minutes to settle before restarting.
9. The ice maker automatically stops working when the ice basket is full.
10. If you fill the unit with water, but the ice maker still does not function, empty some water out through the drain, then recap the drain. The machine should start automatically.
11. Change the water in the water reservoir periodically to ensure cleanliness and hygiene.
12. It is best to use tap water or bottled drinking water in the ice maker. Distilled water may not work. If you do use distilled water and the ice maker will not function, try adding a little salt into the water (a small amount of salt added to the water should be imperceptible).
13. If the ice does not taste good, or the unit develops a musty odor, try running a few cycles of the ice maker with a mild white vinegar solution. Then empty out all the vinegar solution and run a few cycles with plain water to eliminate all traces of the vinegar.

## PROBLEMS WITH YOUR ICE MAKER

You can solve many common problems easily, saving you the cost of a possible service call. Try the suggestion below to see if you can solve the problem before contacting Vinotemp at [info@vinotemp.com](mailto:info@vinotemp.com).

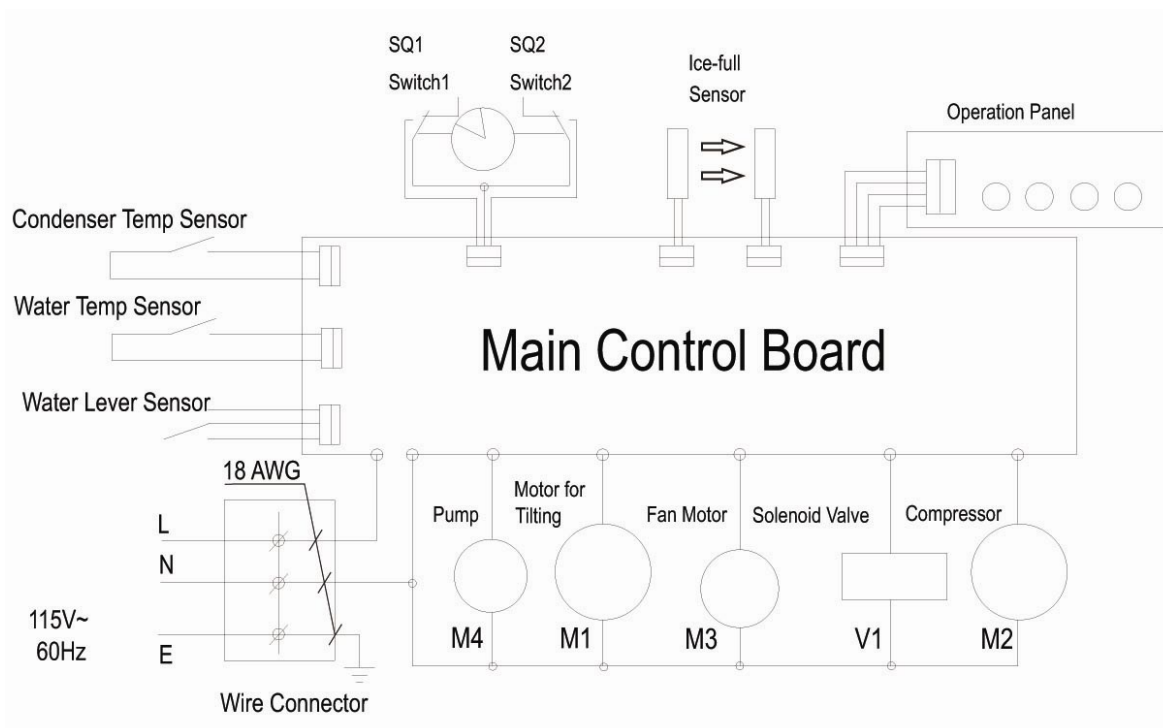
### TROUBLESHOOTING GUIDE

PROBLEM	POSSIBLE CAUSE	SOLUTION
<b>The "Add Water" indicator is on.</b>	Low water level.	Stop the ice maker, fill it with water, and then restart it.
	There is some air in the lines.	Open the drain cap on the back of the unit and drain out a small amount of water. Replace the drain cap and attempt to use the unit again.
	The unit is filled with distilled water or some other type of water with no impurities.	Add a little bit of salt to the water or use water from a different source (tap water or bottled drinking water is best).
<b>The "Ice Full" indicator is on.</b>	The ice basket is full.	Remove ice from the ice basket.
<b>The "Water" and "Ice" indicators are both flashing.</b>	The ice pusher cannot move.	Check if ice is blocking the ice pusher. Otherwise, consult service.
<b>The ice cubes stick together.</b>	The ice cycle is too long.	Stop the ice maker, and restart it when the ice blocks melt. Select the small ice button.
	The water temperature in the inner tank is too low.	Change the water in the inner tank. The ideal water temperature is 45°–90°F.
<b>The compressor makes a loud buzzing noise.</b>	The unit is being run off the wrong voltage or frequency.	Plug the unit into a 110/120 Volt, 60 Hertz power source.
	The compressor was damaged in shipping.	Contact the shipper/manufacturer.
<b>The unit does nothing.</b>	Power is not supplied to the unit.	Plug the unit into a 110/120 Volt, 60 Hertz power source.
<b>The ice making cycle seems normal, but no ice is produced.</b>	The ambient temperature or the water temperature is too high.	Please run the ice maker in temperatures below 90°F and/or pour colder water into tank.
	Refrigerant leakage.	Consult a qualified technician.
	A pipe in the cooling system is blocked.	Consult a qualified technician.

# TECHNICAL SPECIFICATIONS

Model No.	VT-ICEMP25
Ice Making Capacity	26 lbs / day
Ice Storage Capacity	1.8 lbs
Power	110V~120V/60Hz
Rated Current	3.5 A
Power Input	150W
Refrigerant	R134a/3 oz
Size (W x D x H)	12" x 15" x 15"

## CIRCUIT DIAGRAM





## TERMS OF SALE AND WARRANTY

Vinotemp International ("Seller") and the person or entity that acquires these goods from Seller ("Purchaser") hereby fully agree to the following terms and conditions of the sale: Shipping fees are the responsibility of the Purchaser whether freight prepaid or freight collect. Seller assumes no responsibility for the goods sold to the Purchaser once the goods have left the Seller's premises, including, but not limited to, late delivery by the moving carrier, or for events caused by any difficulty carrier incurs in attempting to fit the goods into the Purchaser's place of business or residence due to the size of the goods or otherwise. Purchaser assumes all responsibility for delivery, payment of freight, access, measurement, installation, hook-up, wiring, moving and storage of the goods. The transportation of all goods is subject to the terms and conditions which the moving carrier imposes on Purchaser including, but not limited to, additional charges imposed per flight of stairs, and/or additional charges resulting from the carrier's inability to safely and/or adequately use the building elevator to lift the goods to an upper floor. Any claim for damages incurred during shipment by the carrier of the goods are insured and handled directly with the carrier. Any damages due to manufacture defects will be handled directly with Vinotemp International, subject to the limited warranty.

All sales are final, and unless authorized in writing by the Seller, Purchaser may not return the goods, under any circumstance. If Purchaser refuses to accept the goods, under any circumstance, the Purchaser is liable for the return and cost of freight both ways, and if Seller does take back the goods, there will be a restocking charge that is 35% of the purchase price of the goods. Purchaser must notify Seller of non-conforming goods within four days of delivery, after which time all goods are deemed accepted.

If Purchaser tenders payment with a check that has insufficient funds (NSF), or stops payment on a check or credit card for any reason, Purchaser agrees to pay for all costs associated with the Seller's connection or litigation of such a claim, including without limitation extra damages, court costs and attorneys' fees. Finance charges begin the date of invoice. Collection fees plus NSF fee of \$50 will be added to your invoice, which you agree to promptly pay. Title to the goods does not pass until payment is received in full by Seller and Seller retains a security interest in the goods until they are paid for in full.

**LIMITED WARRANTY:** Seller warrants that the goods will be free of defects in materials and workmanship as follows: Metal cabinets and similar compressor-based systems including wine, beverage, refrigerator and freezer units: parts and labor for cooling system and cabinetry for a period of 12 (twelve) months from date of sale, removal and re-installation of unit is not included in warranty. For a scratch and dent or refurbished unit, warranty is 3 months from your dated invoice (parts for function only, not cosmetic). There is no warranty on parts purchased separately. Purchaser's exclusive remedy is limited, at Seller's option; to repair or replace defective part[s] with either new or factory reconditioned part[s]. Purchaser is responsible for shipping the unit pre-paid to designated facility and Seller will pay return shipping charges in the continental United States for items repaired under warranty within 12 months from date of sale. Improper placement of the unit will void the warranty. This limited warranty does not cover damage due to such things as accident, misuse, abuse, mishandling, neglect, acts of God, fires, earthquakes, floods, high winds, government, war, riot or labor trouble, strikes, lockouts, delay of carrier, unauthorized repair, or any other cause beyond the control of the Seller, whether similar or dissimilar to the foregoing. Seller is not responsible for any damages caused to Seller's property resulting from the good. This limited warranty applies only inside the Continental US. (Alaska, Puerto Rico and Hawaii are not warranted).

Purchaser understands and acknowledges that the goods sold here are wine cellars and/or other similar units which house wine. Purchaser assumes all risk of using these units, including risk of spoilage, humidity variations, temperature variations, leaks, fire, water damage, mold, mildew, dryness and similar and any other perils that might occur.

Seller is not responsible for incidental or consequential damages, and there are no warranties, expressed or implied, which extend beyond the Limited Warranty described above. The implied warranties of merchantability and of fitness for a particular purpose are hereby expressly disclaimed. Some states do not allow the exclusion of incidental or consequential damages, or a waiver of the implied warranties of fitness and/or merchantability, so the above limitations may not apply to you. This warranty gives you specific legal rights and you may also have other rights which vary from state to state.

In the event of any dispute between Seller and Purchaser arising out of or relating to these terms and conditions or to the goods sold generally, Purchaser must first file a written claim with Seller within ten days of the occurrence giving rise to the claim and wait an additional thirty days for a response before initiating any legal action. The sale and all terms are subject to California law. Any legal proceeding arising out of or relating to these terms and conditions or to the goods sold generally shall be brought solely and exclusively in the County of Los Angeles. In no event may Purchaser initiate any legal proceeding more than six months after the occurrence of the event giving rise to the dispute.

The above terms and conditions are the only ones governing this transaction and Seller makes no oral representations of any kind. These Terms and Conditions can only be modified in writing, signed by both Purchaser and Seller. 07/08

## SERVICE & IMPORTANT NOTICE

Upon receipt and inspection of unit, the supply cord must be replaced if it is damaged. Contact our customer service at 1-800-777-8466 or [info@vinotemp.com](mailto:info@vinotemp.com).

The manufacturer has a policy of continuous improvement on its products and reserves the right to change materials and specifications without notice.

### WARNING:

**Please do not place the unit within reach of children.  
For adult use only.**



Contact [info@vinotemp.com](mailto:info@vinotemp.com) with any questions or visit:

**[www.vinotemp.com](http://www.vinotemp.com)**



17631 S. Susana Road  
Rancho Dominguez, CA 90221  
[www.vinotemp.com](http://www.vinotemp.com)

Vinotemp is a registered trademark of Vinotemp International. All products, features, and services are subject to change without notice. We cannot guarantee the accuracy of the contents of this document. We disclaim liability for errors, omissions, or future changes.

© 2008 Vinotemp International. All rights reserved.