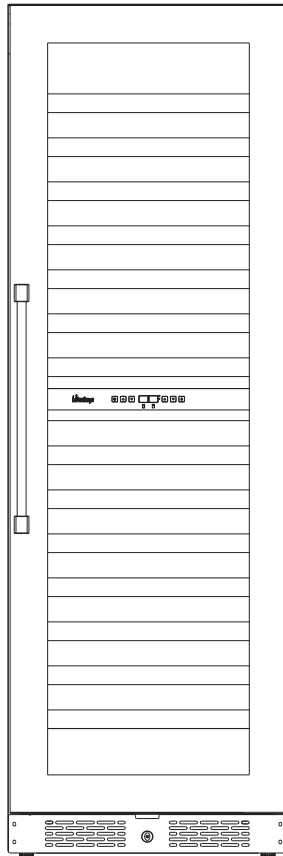


Vinotemp®

A PROUD HERITAGE OF EXPERIENCE & QUALITY



WINE COOLER

VT-24PR125

OVERLAY PANEL INSTALLATION INSTRUCTIONS



WWW.VINOTEMP.COM

INSTALLATION

- Remove all packing material before using your appliance.
- **IMPORTANT:** Before connecting the unit to a power source, let it stand upright for approximately 24 hours. This will reduce the possibility of a malfunction in the cooling system from handling during transportation.
- Clean the interior surface with lukewarm water and a soft cloth.
- This unit is designed for freestanding or built in installation and indoor use only. Position the unit in a dry and well-ventilated place. Avoid placing the unit near any source of heat or moisture, or in direct sunlight. Do NOT install the unit in a location with an ambient temperature that will fall below 44°F.
- For freestanding installation, 5 inches of space between the back and sides of the unit are suggested, which allows the proper air circulation to cool the compressor and condenser for energy saving. Even for built-in installation, it is a must to keep ¼" space on each side and at the top to ensure proper service access and ventilation. And the air vent at the front of the appliance must never be covered or blocked in any way.
- Place the unit on a level surface strong enough to support it when it is fully loaded. To level the appliance, adjust the front leveling legs at the bottom of the appliance.
- For best performance it is recommended that you install the appliance in a location with an ambient temperature between 72°-78°F. If the ambient temperature is above or below recommended temperatures, the performance of the unit may be affected.

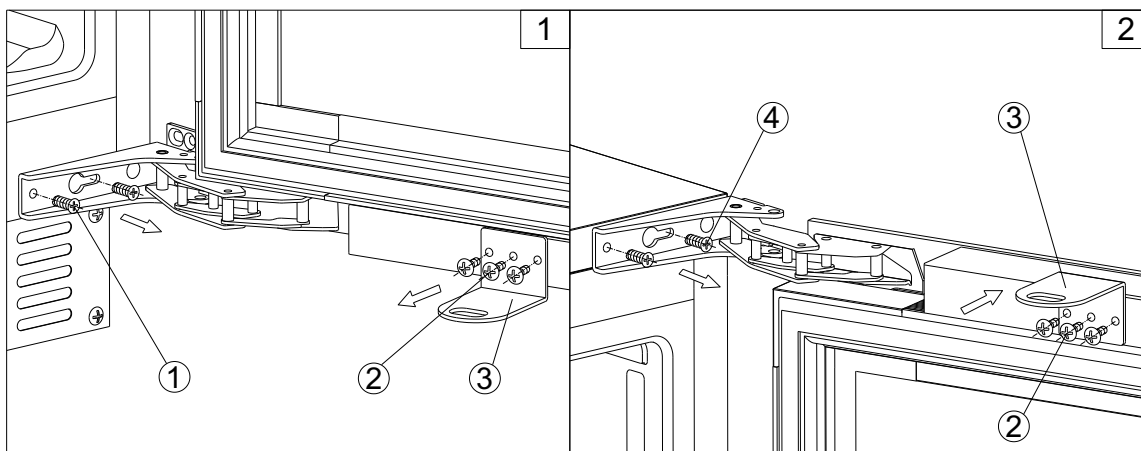
REVERSING THE DOOR SWING OF YOUR APPLIANCE

WARNING

Use extreme caution with the articulated hinges. The hinge is self-closing and many pinch points exist prior to built-in installation.

This unit has the capability of the door opening from either the left or right side. The unit is delivered to you with the door opening from the left side. Should you desire to reverse the opening direction, please follow the reversal instructions shown as the below.

NOTE: All parts removed must be saved to allow the door swing to be reversed.



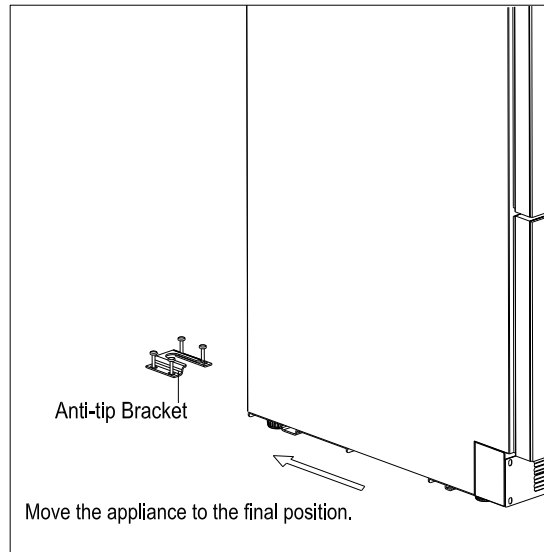
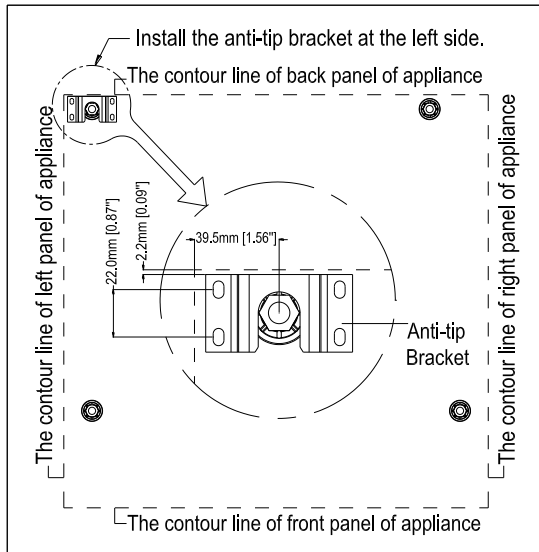
1. Remove the cover cap and then remove the glass door by unscrewing the four screws (1) and (4). Be careful to hold the glass door firmly after removing the screws and place it on a padded surface to avoid the risk of damage.
2. Unscrew and transfer the lock catch (3) to the opposite side.
3. Rotate the glass door 180° and refit the glass door to the opposite side. Then screw and tighten it after the door is leveled.

ANTI-TIP BRACKET INSTALLATION

To reduce the risk of tipping the unit by abnormal usage or improper loading, the appliance must be secured by properly installing the anti-tip device packed with the appliance.

- Place the anti-tip bracket on the floor as shown in the figure. An anti-tip bracket must be installed at the left side.
- Mark the locations of the 4 holes of the anti-tip bracket on the floor.
- Use a 5/16" masonry drill bit and insert plastic anchors.
- Secure bracket to floor using screws.
- Slide appliance into position and make sure the leg engages the anti-tip bracket.

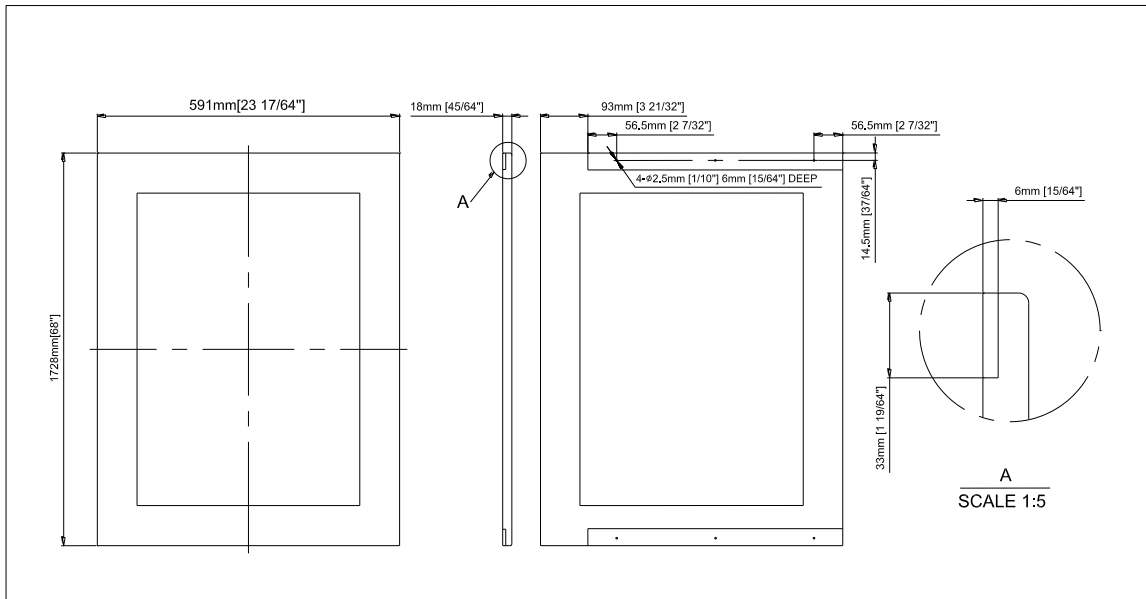
NOTE: If the unit is relocated, the bracket must be removed and installed in the new location.



OVERLAY PANEL INSTALLATION INSTRUCTIONS

Door Panel Preparation

Prepare the overlay panel to the dimensions shown below. Then attach the handle to the overlay panel by using the flat head screws and drive the screws flush with the panel.



NOTE:

1. Weight of the overlay panel should not exceed 35 pounds (16 kilograms).
2. It is important to ensure that all drilled holes are drilled to the correct depth in order to avoid splits in the wood when hardware is installed.
3. Drill the handle installation holes in the overlay panel according to the handle you are planning to use. If reusing the handles came with the unit, drill two holes with holes distance 490mm (19-19/64") and diameter 5mm (3/16") in the overlay panel.

Door Panel Installation

1. Attach two provided mounting brackets (2) to the prepared wood overlay panel (3) by using 4/6 wood screws #10x3/8" (ST4x10) Type AB Philips (1). (Fig. 1)
2. Gently slide the overlay panel on the glass door (4). (Fig. 2)
3. Fix the wood overlay panel (3) on the glass door by using 4 screws #10x3/8" (ST4x10) Type AB Philips (5).

