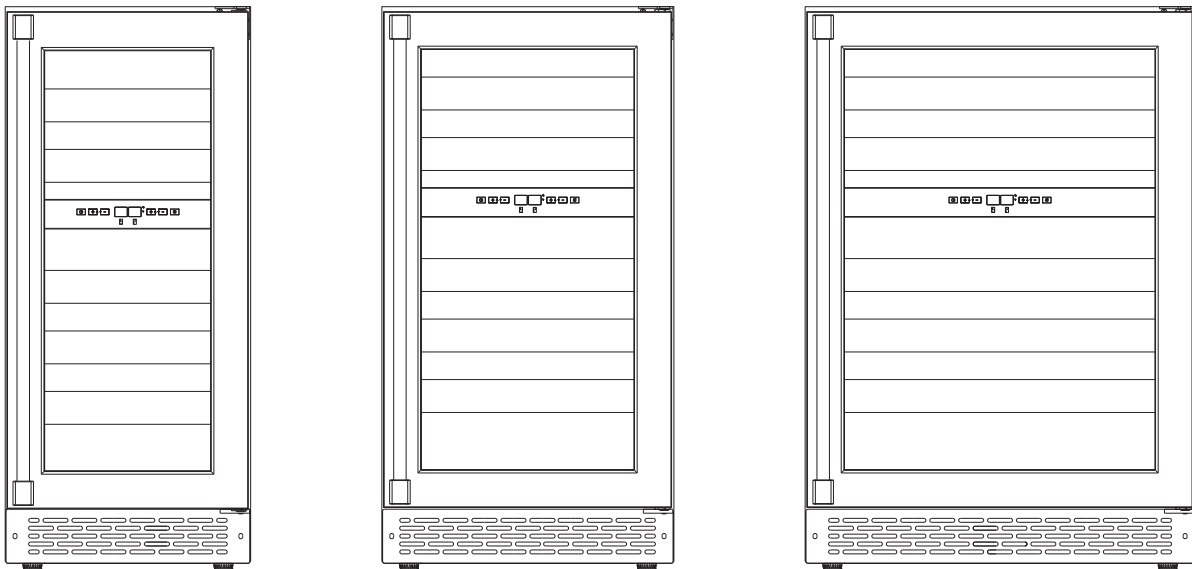


Vinotemp®

A PROUD HERITAGE OF EXPERIENCE & QUALITY



WINE COOLER

VT-15PR28/VT-18PR28/VT-24PR46

OVERLAY PANEL INSTALLATION INSTRUCTIONS

The Vinotemp logo is located in the bottom left corner of the page. It features the brand name "Vinotemp" in a stylized, cursive font, enclosed within an oval shape that has a gradient effect.

WWW.VINOTEMP.COM

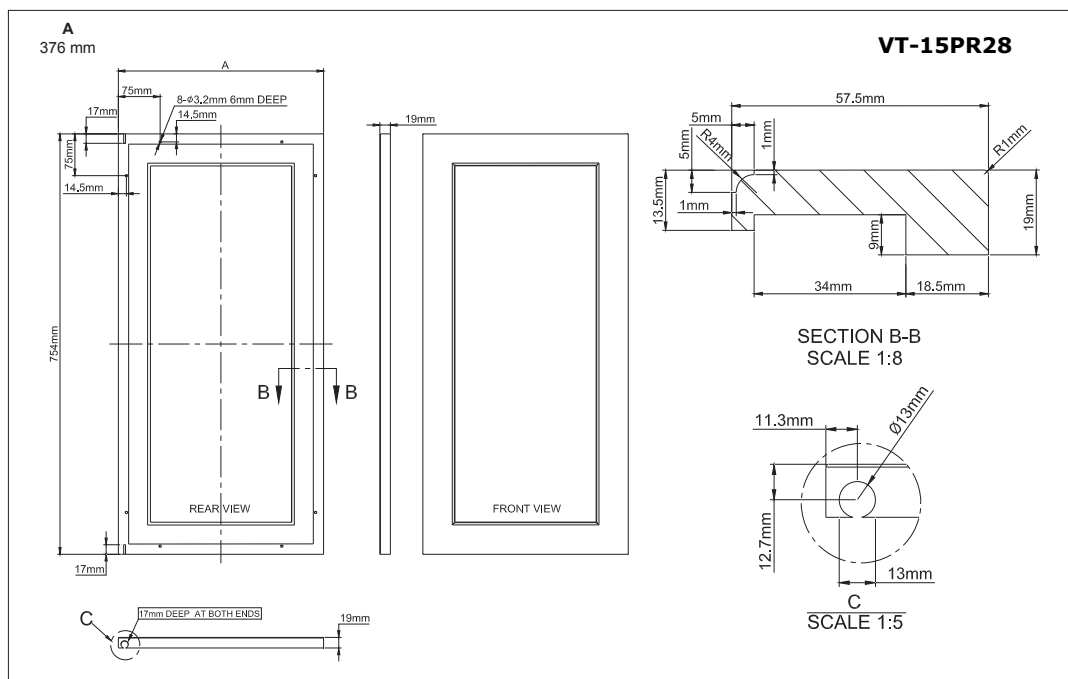
INSTALLATION

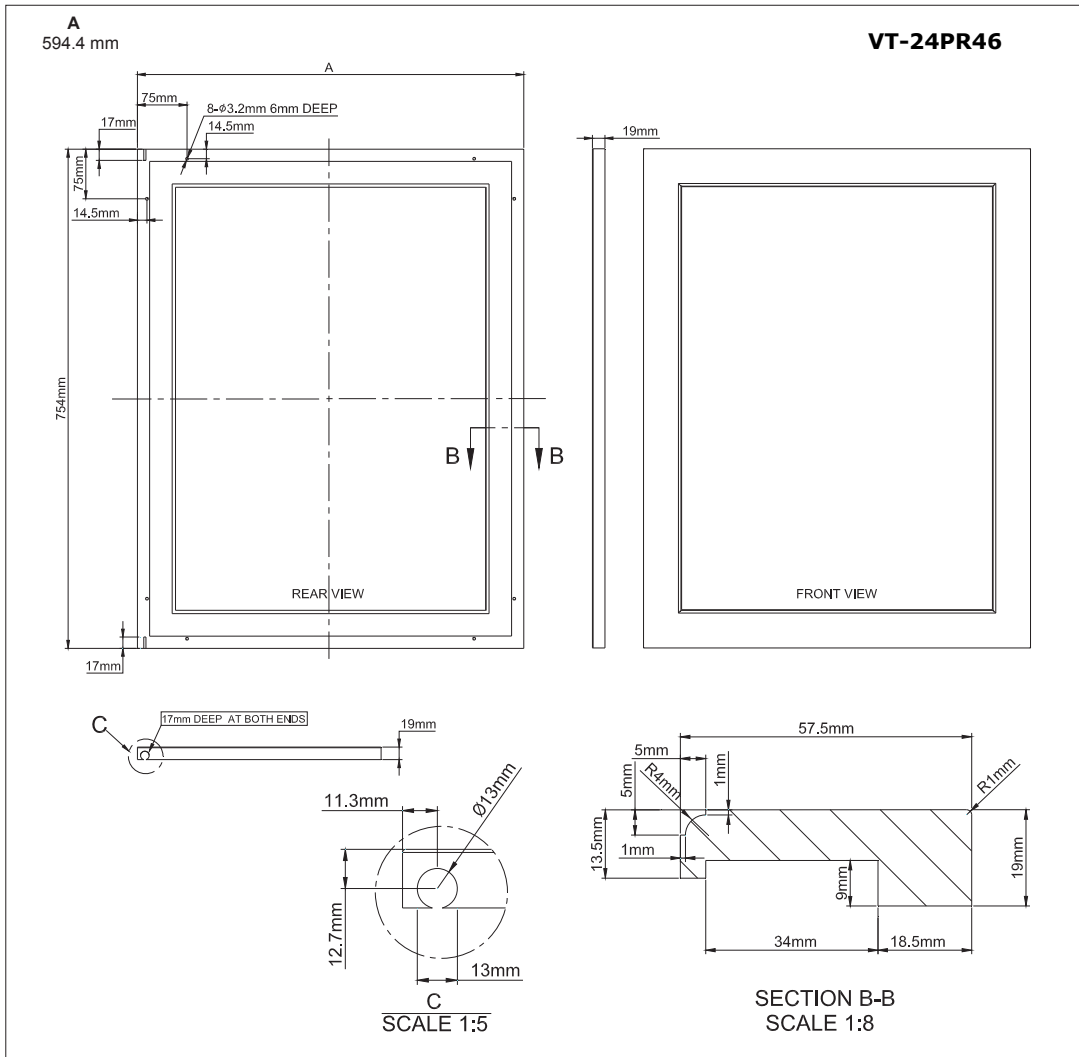
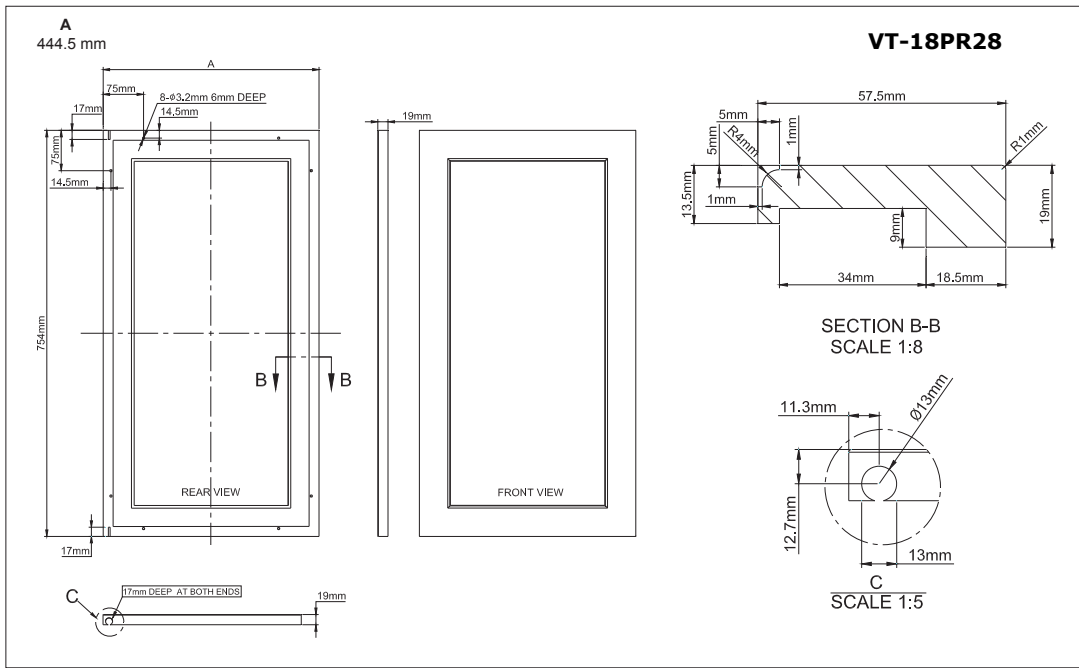
- Remove all packing material before using your appliance.
- **IMPORTANT:** Before connecting the unit to a power source, let it stand upright for approximately 24 hours. This will reduce the possibility of a malfunction in the cooling system from handling during transportation.
- Clean the interior surface with lukewarm water and a soft cloth.
- This unit is designed for freestanding or built in installation and indoor or outdoor use. Position the unit in a dry and well-ventilated place. Avoid placing the unit near any source of heat or moisture, or in direct sunlight. Do NOT install the unit in a location with an ambient temperature that will fall below 44°F or above 90°F.
- For built-in installation, it is a must to keep ¼" space on each side and at the top plus 1-2" of space at the back to ensure proper service access and ventilation. The air vent at the front of the appliance must never be covered or blocked in any way.
- Place the unit on a level surface strong enough to support it when it is fully loaded. To level the appliance, adjust the front leveling legs at the bottom of the appliance.
- For best performance it is recommended that you install the appliance in a location with an ambient temperature between 44-90°F. If the ambient temperature is above or below recommended temperatures, the performance of the unit may be affected.

OVERLAY PANEL INSTALLATION INSTRUCTION

Door Panel Preparation

Depending on the wine cellar model prepare the overlay panel to the dimensions shown below. Then attach the handle to the overlay panel by using the flat head screws and drive the screws flush with the panel.



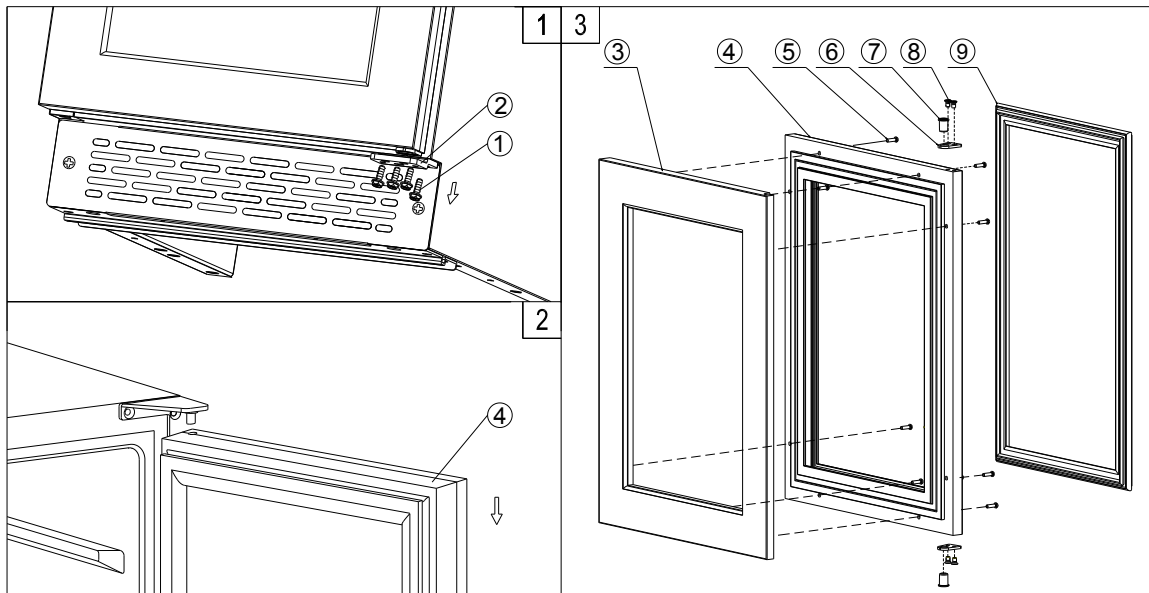


NOTE:

1. Weight of the overlay panel should not exceed 20 pounds (9.1 kilograms).
2. It is important to ensure that all drilled holes are drilled to the correct depth in order to avoid splits in the wood when hardware is installed.
3. Drill the handle installation holes in the overlay panel according to the handle you are planning to use. If reusing the handles came with the unit, drill two holes with holes distance 707mm (27-53/64") and diameter 5mm (3/16") in the overlay panel.

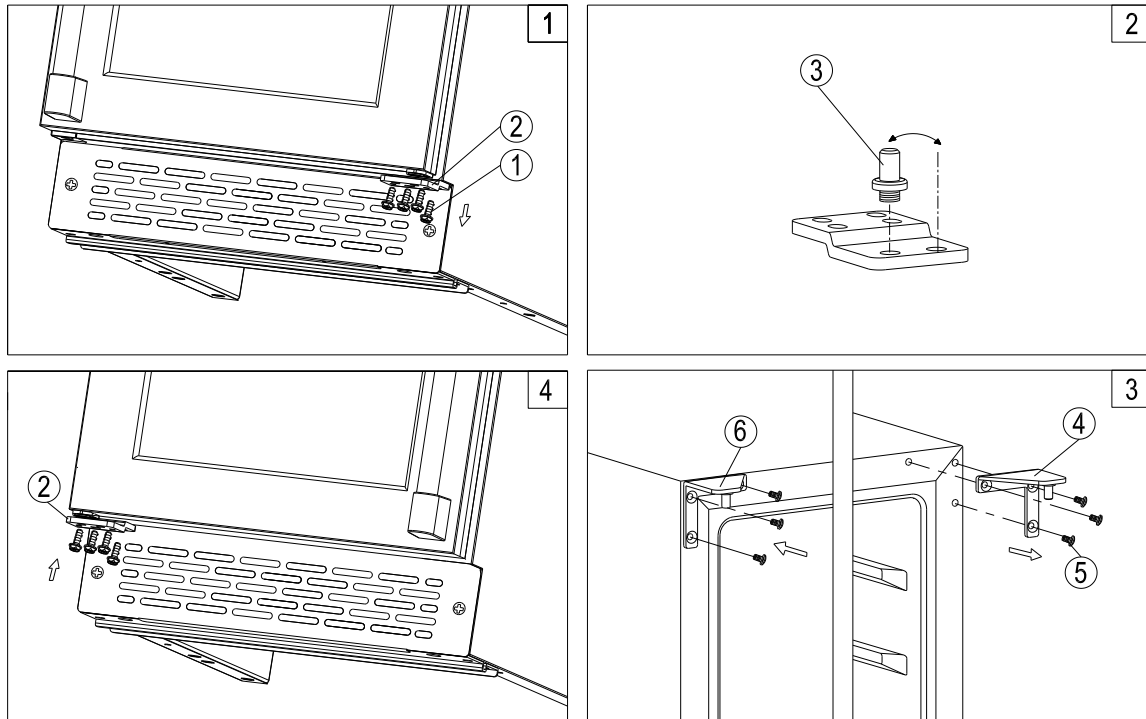
Door Panel Installation

1. Remove the bottom hinge assembly (2) by unscrewing the four lock screws (1). Be careful to hold the door (4) firmly after removing the screws. (Fig. 1)
2. Gently pull down to remove the door from the right top hinge and place it on a padded surface to avoid the risk of damage. (Fig. 2)
3. Remove door gasket (9) completely from door (4). Start in a corner and pull outward. This may take some force. Set gasket down on a flat surface for later installation.
4. Remove the door adapters (6) and hinge sleeves (7) by unscrewing the screws (8).
5. Attach the wood overlay panel (3) to the door face by using 8 wood screws #10x1.5 (ST4x40) Type AB Philips (5).
6. Repeat steps described above in reverse to replace the door adapters (6), hinge sleeves (7) and gasket (9).
7. Relocate the finished door to the designated position. Then screw the bottom hinge assembly and tighten it after the door is leveled.



REVERSING THE DOOR SWING OF YOUR APPLIANCE

This unit has the capability of the door opening from either the left or right side. The unit is delivered to you with the door opening from the left side. Should you desire to reverse the opening direction, please follow the reversal instructions shown below.



NOTE: All parts removed must be saved to allow the door swing to be reversed.

1. Remove the bottom hinge (2) by unscrewing the four lock screws (1). Be careful to hold the door firmly after removing the screws. (Fig. 1)
2. Gently pull down to remove the door from the right top hinge and place it on a padded surface to avoid the risk of damage. Then remove the right top hinge (4). (Fig. 3)
3. Unscrew and transfer pin (3) of the hinge plate to the opposite side. (Fig. 2)
4. Pop out the cover caps on the left side of the cabinet and use them to cover the screw holes on the right hand side.
5. Screw the alternative left top hinge (6), included in the fittings, on the left hand side of the cabinet. (Fig. 3)
6. Rotate the door 180° and relocate it to the designated position. Then screw the bottom hinge assembly on the left designated position and tighten it after the door is leveled. (Fig. 4)