

# Assembly instructions for 7ft QR Module.

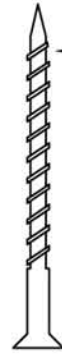
## Fasteners.

QR-7

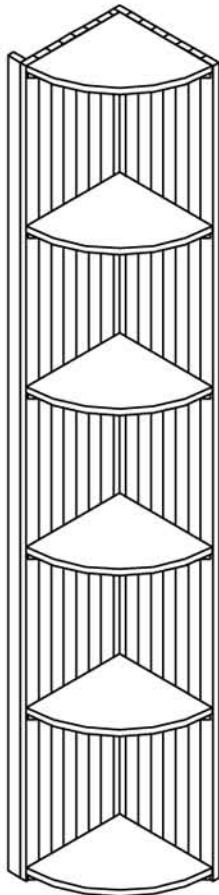
### Tools needed:

- (1) Hammer
- (1) Power drill
- (1) Level
- \*Suggested 18 gauge Brad Gun with 1/4" brad nails will make install easier.

### Parts List:

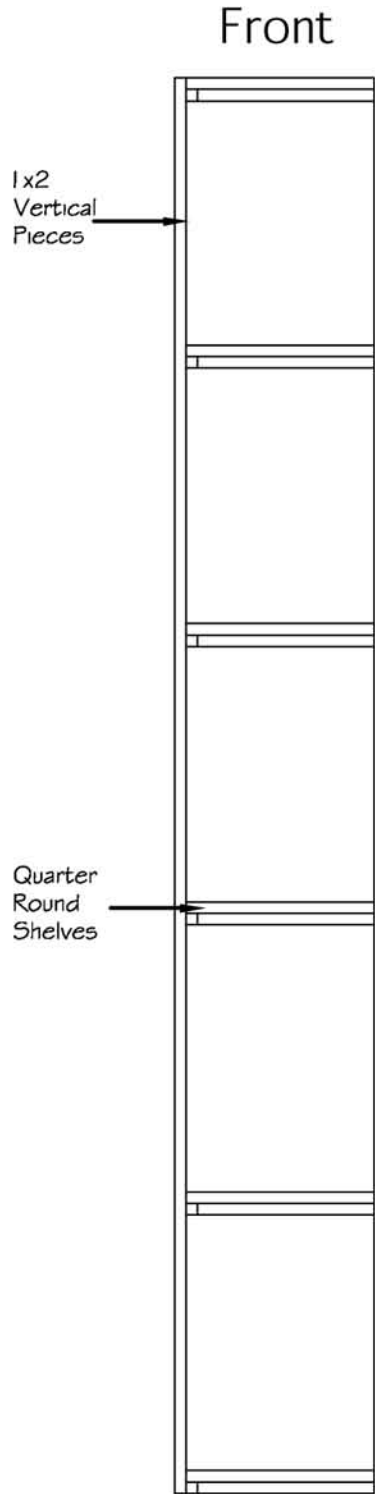


- (8) 2 1/2" Phillips screws for attaching to wall.
- (6) 1/4" Joining Screws to attach to other modules.
- (36) 1/4" Shelf screws.

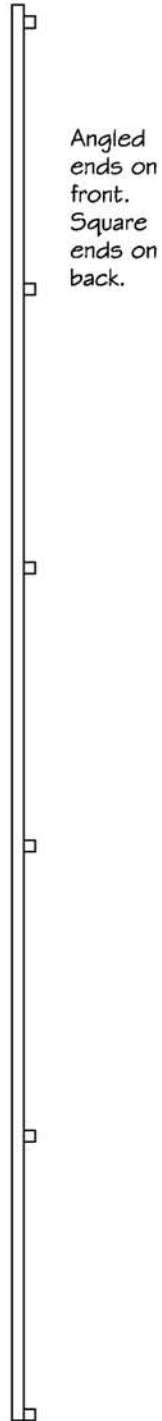


# Assembly instructions for 7ft QR Module. Racking.

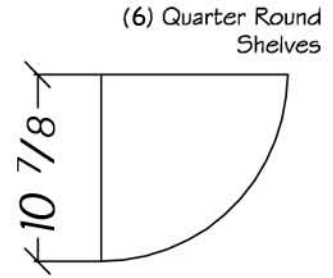
## QR-7



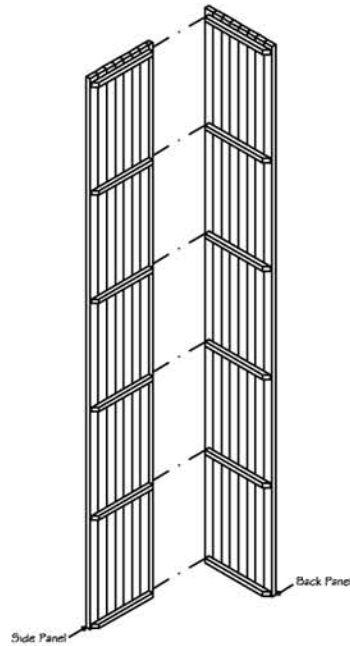
(1) Side Panel  
1 1/4" w x  
84 3/16"



(1) Back Panel  
1 1 5/16" w x  
84 3/16"



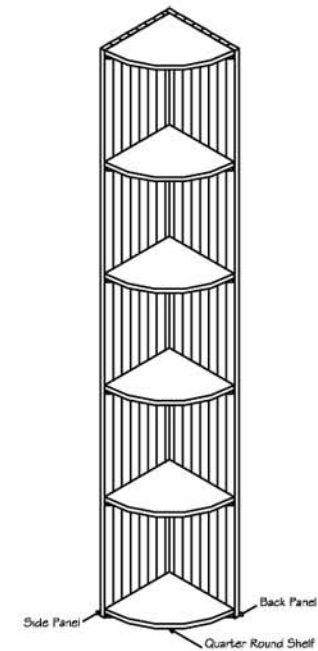
step 1



Step 1: (Attaching side panel to back panel)

Join the back panel to the side panel using the screws provided so that the back panel overlaps the side panel. Apex has predrilled the holes on the back of the back panel for ease of attaching the two panels together. Tighten securely.

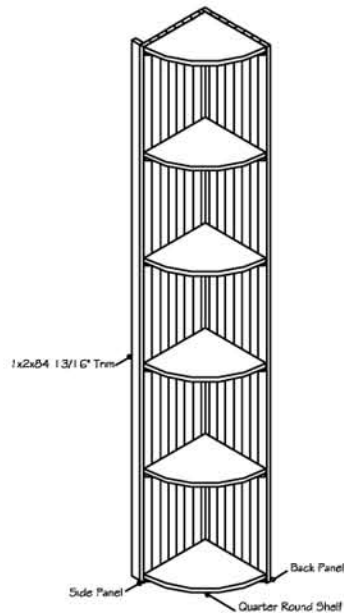
step 2



Step 2: (Attaching the shelves)

Place each quarter round shelf on top of the 1x1 rails that are fastened to the panels. Note: The grain pattern should be going in the same directions on all the shelves. From the back side use the predrilled holes and screw the shelves into place with the screws provided.

step 3



Step 3-Optional: (Attaching the 1x2x8 1/2" trim)

Since the QR-6 is not as deep as the other Apex Modular Racks, Apex has provided a 1x2x8 1/2" long trim board as an optional piece when mounting the QR-7 to another modular rack. The trim board is used to fill in the gap between the QR-7 and the wall.

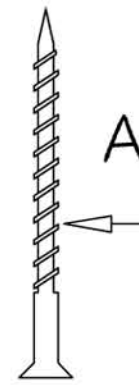
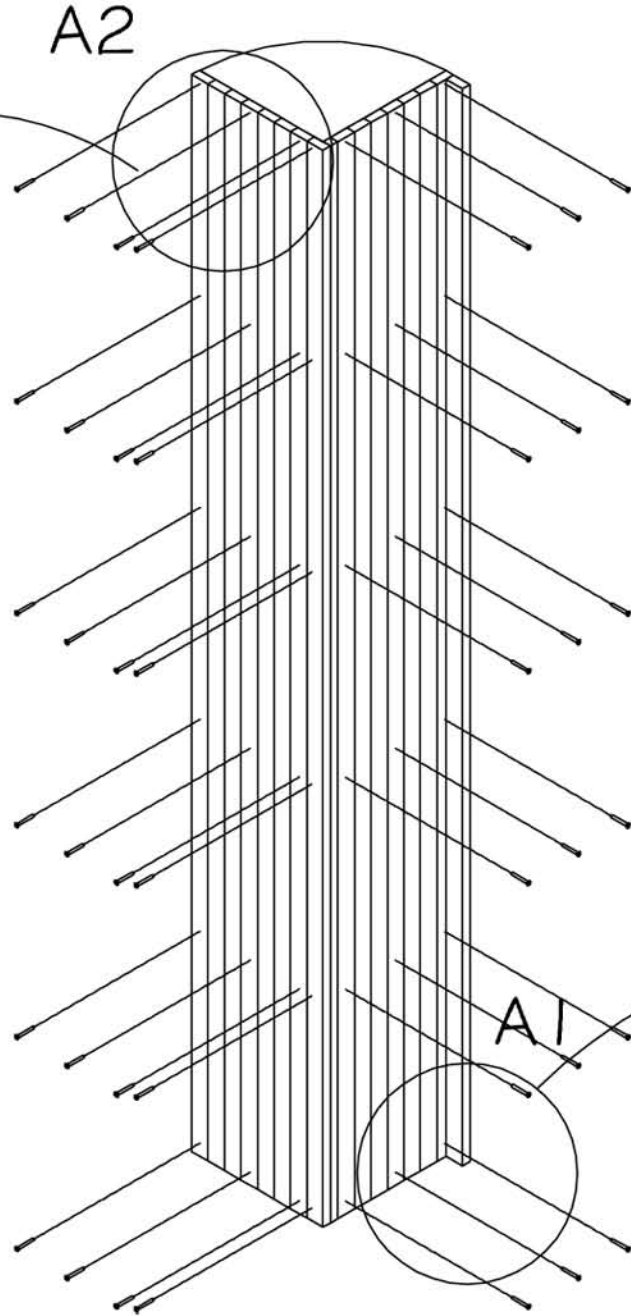
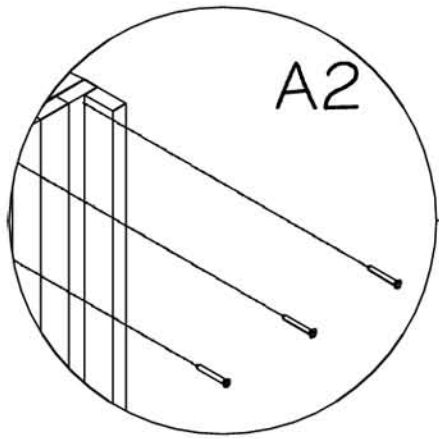
step 4 Finish



Step 4: (Finish)

If attaching to another module screw through the panel into the end ladder of the other module just underneath the the shelves. Use a level to make sure the rack is mounted square to the wall or other rack.

# Fastener Placement Guide



(8) screws for attaching the panels to each other  
(36) screws for attaching the shelves to the panels.  
-Screw through backside of panels wherever there is a pre-drilled hole.

