

# Assembly instructions for 7ft IBH Module.

## Fasteners.

IBHalf-7

### Tools needed:

- (1) Hammer
- (1) Power drill
- (1) Level
- \*Suggested 18 gauge Brad Gun with 1/4" brad nails will make install easier.

Parts List:

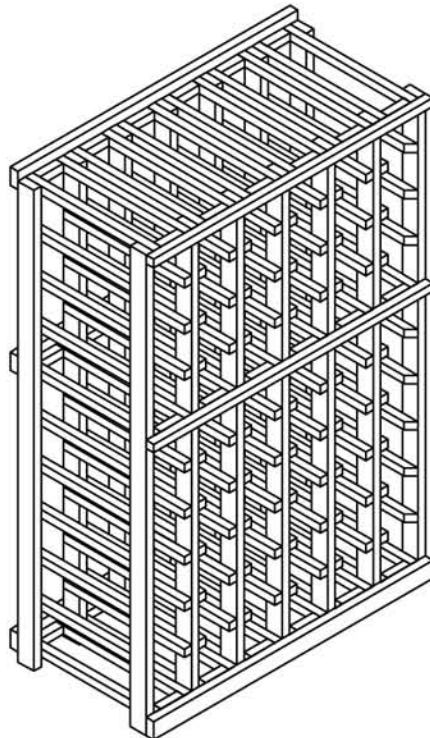


- (6) 2 1/2" Phillips screws for attaching to wall.
- (3) 1/4" Joining Screws to attach to other modules.

(70) nails



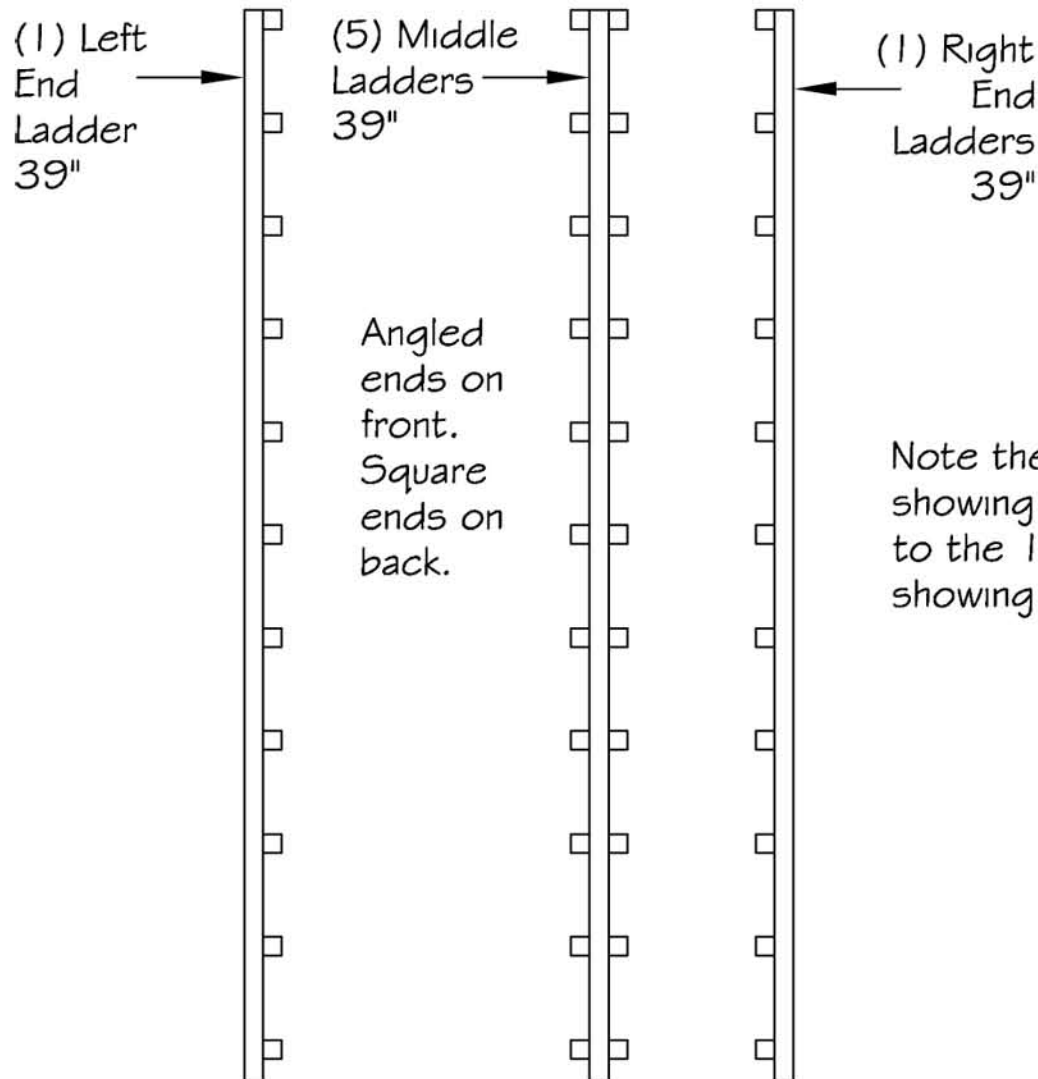
(6) Drywall Inserts



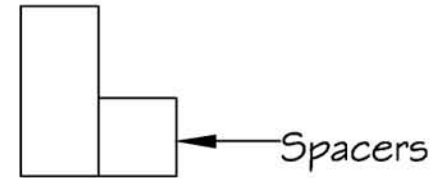
PHONE  
FAX

# Assembly instructions for 7ft IBH Module. Racking.

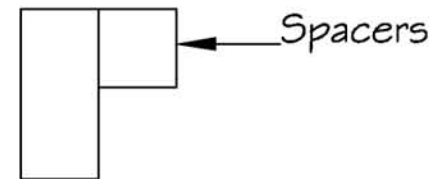
## IBH-7



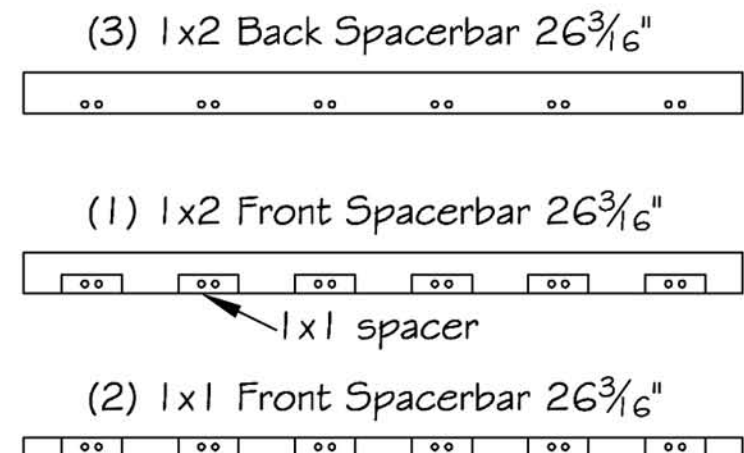
Side view of spacerbars "up" position



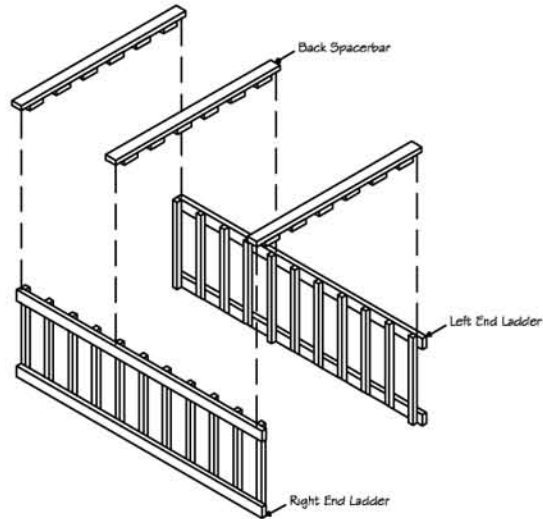
Side view of spacerbars "down" position



Note the BACK spacerbar is determined by the nails showing from the 1x2 side used to attach the 1x2 to the 1x1 spacer. FRONT spacerbar has the nails showing on the 1x1 spacer.



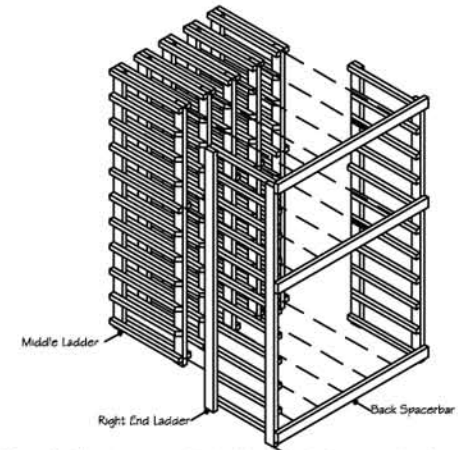
## step 1



### Step 1: (Attaching back spacerbars)

Place the right and left end ladders on the floor, making sure the angled rails are facing the floor. On the 1st, 7th, and 11th rungs, nail the end ladders to a 1x2 BACK spacerbar. The spacerbars need to be "up" so that the small block of wood is towards the bottom.

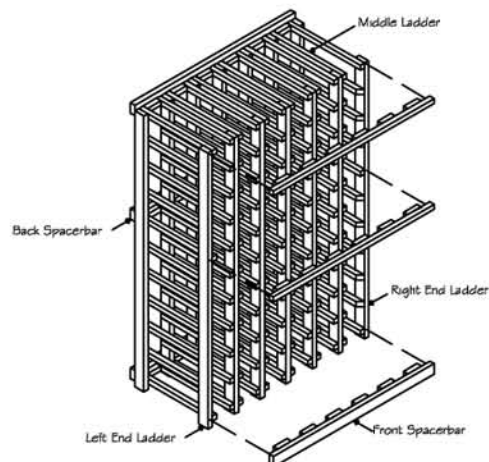
## step 2



### Step 2: (Attaching middle ladders to back spacerbars)

Stand up the rack. Insert the five middle ladders into the slots of the spacer bar as shown. Nail each middle ladder onto the spacer bars as shown with the nails provided.

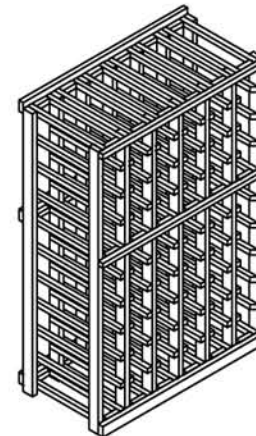
## step 3



### Step 3: (Attaching 1x2 & 1x1 front spacerbars)

Starting from the bottom, place a 1x2 spacerbar on the 1st rung and a 1x1 spacerbar at the 7th and 11th rung. Place one nail into each ladder to secure into place. The bottom spacerbar needs to be down so that the spacer peg is off of the floor.


## step 4

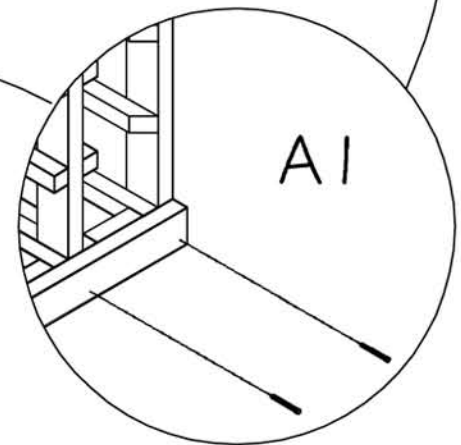
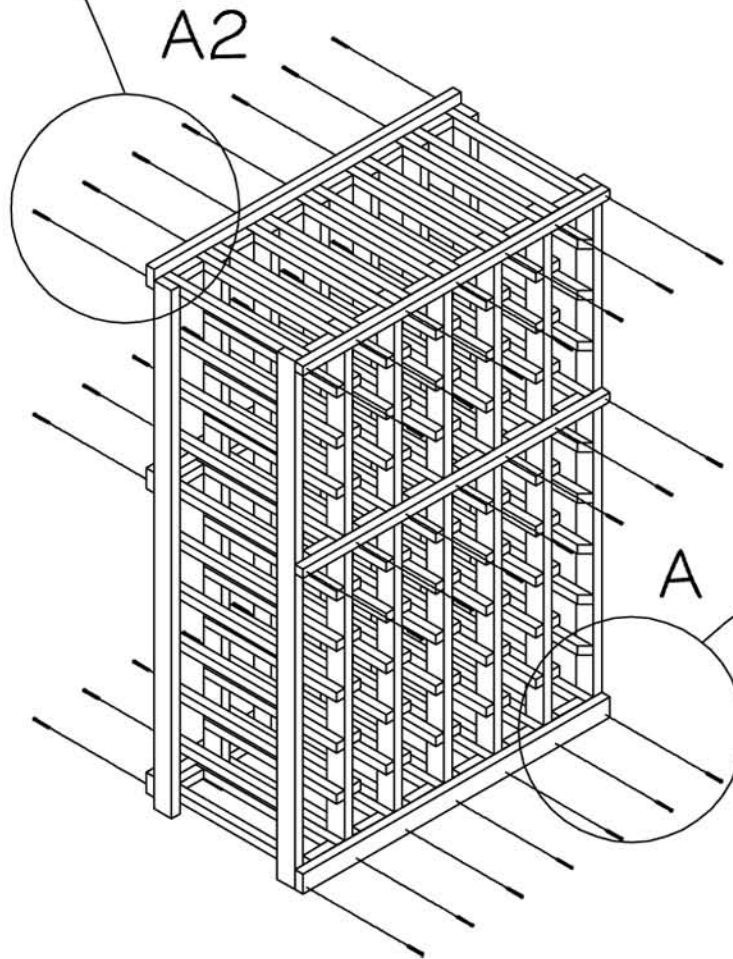
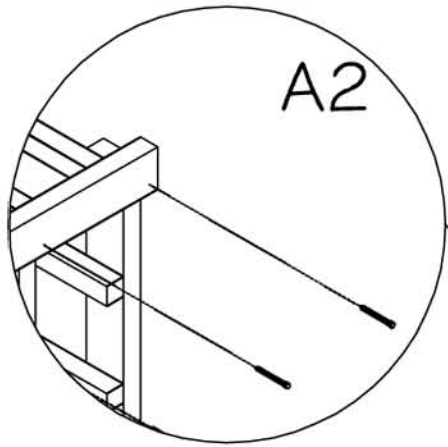


### Step 4: (Finish)

Fasten to the wall through the back spacerbars using the 2 1/2" screws and using a level to make sure the rack is mounted square on the wall.

# Fastener Placement Guide

(70) nails   
-Nail one at every point where the front and back spacer bars intersect a ladder as shown.



A

A1