

Vinotemp®

A PROUD HERITAGE OF EXPERIENCE & QUALITY



THERMOELECTRIC CIGAR HUMIDOR

VT-HUMIDOR



WWW.VINOTEMP.COM

Please read the following instructions before use of this product:

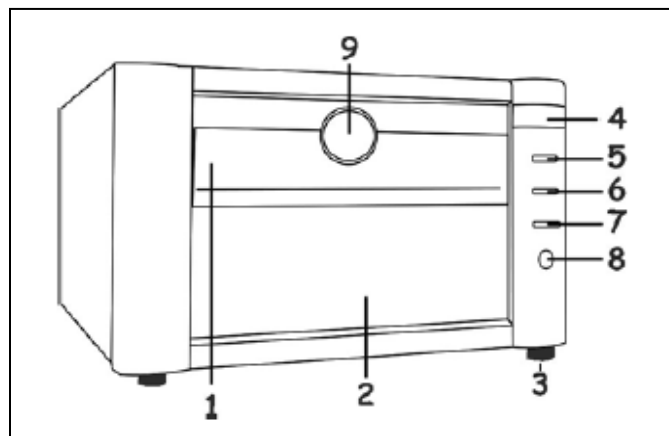
- Do not use this product if the power cord is damaged. If damaged, it should be replaced by a qualified technician.
- **WARNING:** This product should be kept out of reach of children.
- Be sure that this product is powered off and disconnected from the outlet before cleaning.
- When cleaning, use a damp cloth. Do not use detergent or solvent.
- Do not plug your unit into an adapter or connector.
- For proper ventilation, clearance of 4 inches all around is necessary for proper intake and exhaust.
- This apparatus is designed exclusively for the storage of cigars. Do not place food or beverages in this product.
- Close the door after use to avoid temperature fluctuations.
- Do not put the product near a source of heat or place directly under sunlight.
- For proper temperature, the ambient or room temperature should be between 50°F and 80°F. Below and above this range, the internal temperature of the unit will not be able to maintain ideal temperature.
- The product should be placed on a flat and stable surface.
- Do not place any items on the unit.
- To avoid electric shock, never use this product with wet hands or bare feet or on wet surface.
- Do not use this product outdoors or in a wet environment.
- Do not move the unit when it's filled.
- The power cable should be connected to a grounded outlet.
- Unplug by properly grasping the plug from the outlet.
- Never raise the product by the power cable.
- Keep the power cable away from heating surfaces.
- Do not attempt to repair parts yourself; please contact Vinotemp customer service at info@vinotemp.com or 1-800-777-8466.
- Do not connect to power before proper installation.
- This product is for indoor use only.
- Before disposing of this unit, please remove door.

Table of Contents

Introduction To Your Humidor	4
About Cigars/Terminology	4
Instruction On Installation.....	5
Use	5
Cleaning.....	5
Technical Data	6
Electrical Information	6
Terms of Sale & Warranty	7
Service & Important Notice.....	8

Introduction To Your Humidor

- 1) Cigar Drawer
- 2) Door Window
- 3) Feet
- 4) Temperature viewer
- 5) Button to increase temperature (UP)
- 6) Button to decrease temperature (DOWN)
- 7) Button to select degrees C or F
- 8) Inside light switch (LIGHT)
- 9) Humidity Display



About Cigars/Terminology

- Amatista – A glass jar containing 50 (or 25) cigars, sealed and sold "factory fresh"
- Band – Ring of paper wrapped around the closed head of most cigars
- Binder – Portion of a tobacco leaf that holds the filler leaves, the bunch, together
- Blend – The mixture of different types of tobacco in a cigar, including up to five types of filler leaves, a binder leaf and an outer wrapper
- Bloom – Harmless white film caused by tobacco oils rising to the surface of the cigar wrapper. Often indicates a strong taste. (Also called Plume)
- Bouquet – Used to describe the smell of a fine cigar and, of course, fine wines
- Bunch – Filler tobacco used to create the body of a cigar
- Cap – A circular piece of wrapper leaf used to secure the wrapper at the cigar head
- Cigarillos – Thin, three-inch cigars, popular in Europe, generally machine-made
- Draw – Amount of air that gets pulled through a lit cigar. Easy/hot or tight/plugged
- Flag – Instead of a cap, flags are an extension of the wrapper leaf used to finish the head of a cigar. Sometimes tied off in a pigtail or a curly head
- Foot – The end of the cigar that you light. Often pre-cut
- Head – The closed end of the cigar that you put into your mouth
- Hot – A cigar draw that is too easy, often because it has been under-filled
- Hygrometer – Device used to measure humidity or percentage of moisture in the air
- Long Filler – Whole tobacco leaves used to fill a cigar; these leaves are long and can run the length of the cigar's bunch. Long filler should burn evenly and consistently
- Piercer – Used to cut/pierce a small hole in the end of a cigar (also called a 'lance')
- Plug – A blockage that prevents a cigar from drawing properly. (Gently massaging the cigar may relieve a plugged draw)
- Ring Gauge - Diameter of a cigar's barrel, expressed in 64ths of an inch. A half-inch cigar would be a 32 ring (32/64)
- Short Filler – Cigar bunch comprised of scraps of tobacco (parts of leaves and twigs)
- Shoulder – Where the cap of the cigar meets the barrel. The cigar will unravel if cut
- Tunneling – Uneven burning of a cigar which occurs when a wrapper does not ash
- Wrapper – High-quality tobacco leaf wound around the finished bunch and binder *

*Excerpts from CigarSecrets.com

Instruction On Installation

Before using this product, please:

- Remove all external and internal packaging.
- Verify that the accessories are present: Cigar Drawer, Instruction Manual.
- Place the product on a flat and stable surface. Screw or unscrew the adjustable feet for leveling.
- Before connecting this product to the power source, place in the desired location and wait for 2 hours to avoid risk of cooling system malfunction.
- Clean the inside of the unit with a soft cloth (do not use detergent or solvent).
- Verify that the power cable is not damaged. If cord is damaged, have it replaced by an authorized technician.
- It is recommended to install this unit in a room where the ambient temperature is not lower than 50°F or higher than 80°F. If the ambient temperature is not in this range, the inside temperature may not maintain the ideal temperature for your cigars. The inside temperature of the product also can vary if the inside indicator light is turned on or off.

Use

- Connect the unit to the power supply.
- Set the temperature to 66°F.
- Place cigars loose in the top drawer or place your box in the lower section.
- To turn on/off the inside light, press the light button.

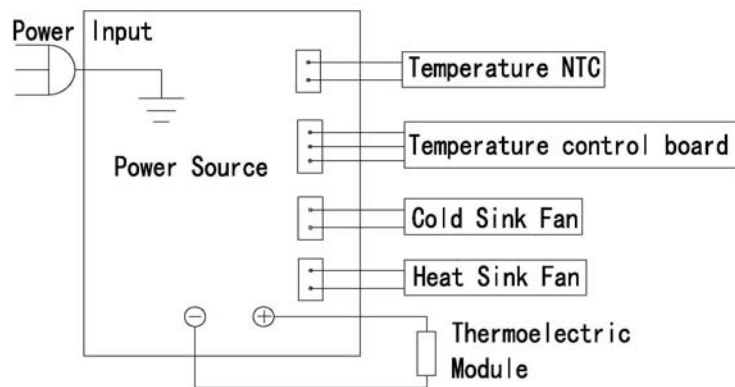
Cleaning

- Disconnect the power cord.
- Clean the inside of cigar humidor with warm water and mild soap. Do not use abrasive detergent or solvents. Do not use moisture on the wood shelves as it can stain. Use mild window cleaner for the glass door, but do not use this cleaner for the door trim.
- Don't put the shelf in the dishwasher.

Technical Data

Model Number	VT-Humidor
Capacity	23 liter (0.81 cu.ft)
Tension	100-120V
Current	0.5A (25°C/77°F)
Protection Class	I
Frequency	60Hz
Climatic class	SN, N
Input power	70W (25°C/77°F)
Electric consumption	0.8KW (15°C/59°F)
Maximum difference of temperature	>18°C/64°F
Temperature range	From 44 to 66°F (7-18°C)
Net weight	9.4kg (20.72Lbs)
Gross weight	10.8kg (23.81Lbs)
Dimension	H 27.5 x L 41 x P 52.5 cm
Package dimension	H 32.5 x L 45.7 x P 56 cm

Electrical Information



Terms of Sale & Warranty

Vinotemp International ("Seller") and the person or entity that acquires these goods from Seller ("Purchaser") hereby fully agree to the following terms and conditions of the sale: Shipping fees are the responsibility of the Purchaser whether freight prepaid or freight collect. Seller assumes no responsibility for the goods sold to the Purchaser once the goods have left the Seller's premises, including, but not limited to, late delivery by the moving carrier, or for events caused by any difficulty carrier incurs in attempting to fit the goods into the Purchaser's place of business or residence due to the size of the goods or otherwise. Purchaser assumes all responsibility for delivery, payment of freight, access, measurement, installation, hook-up, wiring, moving and storage of the goods. The transportation of all goods is subject to the terms and conditions which the moving carrier imposes on Purchaser including, but not limited to, additional charges imposed per flight of stairs, and/or additional charges resulting from the carrier's inability to safely and/or adequately use the building elevator to lift the goods to an upper floor. Any claim for damages incurred during shipment by the carrier of the goods are insured and handled directly with the carrier. Any damages due to manufacture defects will be handled directly with Vinotemp International, subject to the limited warranty.

All sales are final, and unless authorized in writing by the Seller, Purchaser may not return the goods, under any circumstance. If Purchaser refuses to accept the goods, under any circumstance, the Purchaser is liable for the return and cost of freight both ways, and if Seller does take back the goods, there will be a restocking charge that is 35% of the purchase price of the goods. Purchaser must notify Seller of non-conforming goods within four days of delivery, after which time all goods are deemed accepted.

If Purchaser tenders payment with a check that has insufficient funds (NSF), or stops payment on a check or credit card for any reason, Purchaser agrees to pay for all costs associated with the Seller's connection or litigation of such a claim, including without limitation extra damages, court costs and attorneys' fees. Finance charges begin the date of invoice. Collection fees plus NSF fee of \$50 will be added to your invoice, which you agree to promptly pay. Title to the goods does not pass until payment is received in full by Seller and Seller retains a security interest in the goods until they are paid for in full.

LIMITED WARRANTY: Seller warrants that the goods will be free of defects in materials and workmanship as follows: Thermoelectric Units: 90 (ninety) days from the date of sale. (This includes Wine Coolers, Beer Dispensers, Humidors and Refrigerators.) Purchaser's exclusive remedy is limited, at Seller's option; to repair or replace defective part[s] with either new or factory reconditioned part[s]. Purchaser is responsible for shipping the unit pre-paid to designated facility and Seller will pay return shipping charges in the continental United States for items repaired under warranty within 3 (three) months from date of sale. Since the natural variation in texture, density, grain, color, tone and shade of wood is unavoidable; Seller does not guarantee the texture, color, tone or shade of the wood: nor does seller guarantee the colorfastness of wood or against peeling, chipping, cracking or scratching. Note: Unfinished wood is subject to warping; all wood surfaces must be sealed before placing cellar into service. Improper placement of the unit will void the warranty. This limited warranty does not cover damage due to such things as accident, misuse, abuse, mishandling, neglect, acts of God, fires, earthquakes, floods, high winds, government, war, riot or labor trouble, strikes, lockouts, delay of carrier, unauthorized repair, or any other cause beyond the control of the Seller, whether similar or dissimilar to the foregoing. Seller is not responsible for any damages caused to Seller's property resulting from the good. This limited warranty applies only inside the Continental US. (Alaska, Puerto Rico and Hawaii are not warranted.)

Purchaser understands and acknowledges that the goods sold here are wine cellars, cigar humidors, and/or other similar units which house wine or cigars. Purchaser assumes all risk of using these units, including risk of spoilage, humidity variations, temperature variations, leaks, fire, water damage, mold, mildew, dryness and similar and any other perils that might occur.

Seller is not responsible for incidental or consequential damages, and there are no warranties, expressed or implied, which extend beyond the Limited Warranty described above. The implied warranties of merchantability and of fitness for a particular purpose are hereby expressly disclaimed. Some states do not allow the exclusion of incidental or consequential damages, or a waiver of the implied warranties of fitness and/or merchantability, so the above limitations may not apply to you. This warranty gives you specific legal rights and you may also have other rights which vary from state to state.

In the event of any dispute between Seller and Purchaser arising out of or relating to these terms and conditions or to the goods sold generally, Purchaser must first file a written claim with Seller within ten days of the occurrence giving rise to the claim and wait an additional thirty days for a response before initiating any legal action. The sale and all terms are subject to California law. Any legal proceeding arising out of or relating to these terms and conditions or to the goods sold generally shall be brought solely and exclusively in the County of Los Angeles. In no event may Purchaser initiate any legal proceeding more than six months after the occurrence of the event giving rise to the dispute.

The above terms and conditions are the only ones governing this transaction and Seller makes no oral representations of any kind. These Terms and Conditions can only be modified in writing, signed by both Purchaser and Seller. 04/07

SERVICE & IMPORTANT NOTICE

Upon receipt and inspection of the unit, if the cord is damaged, do not use, it must be replaced. For any additional information or questions, please contact Vinotemp at info@vinotemp.com or visit www.vinotemp.com.



17621 S. Susana Road
Rancho Dominguez, CA 90221
www.vinotemp.com

Vinotemp is a registered trademark of Vinotemp International. All products, features, and services are subject to change without notice. We cannot guarantee the accuracy of the contents of this document. We disclaim liability for errors, omissions, or future changes.

© 2008 Vinotemp International. All rights reserved.