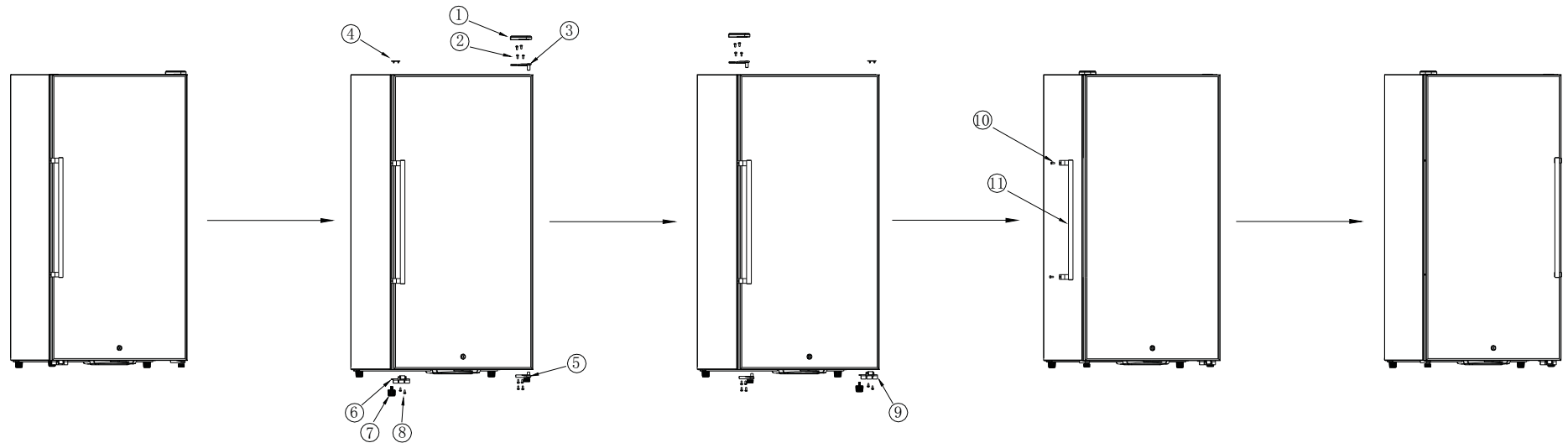


## EL-200ZZ-B Reversible Door Installation Instructions



1. Upper hinge cover
2. Screws for upper hinge
3. Upper hinge
4. Top cover plate
5. Lower hinge
6. Left hinge part holder
7. Left in front of the cabinets feet
8. Screws of hinge part to avoid door drop
9. Right hinge part to avoid door drop
10. Screws for handle
11. Handle

1. Open upper hinge cover ①, loosen screws of the upper hinge ②, move the door out.
2. Remove left front cabinets feet ⑦, loosen screws of the lower hinge and hinge part to avoid door from dropping ⑧ ⑤.
3. Remove the upper hinge cover, use right lower hinge screws and install onto left side ⑤.
4. Put the right hinge part on to avoid door from dropping ⑨ on to the right side and tighten left front cabinets feet ⑦. at the right bottom side.
5. Put the door on to the lower hinge, install the screws ② into left hinge and place back on the upper hinge cover ① and top cover plate of the cabinet ④.
6. Loosen and remove handles and install screws and handle onto opposite side.