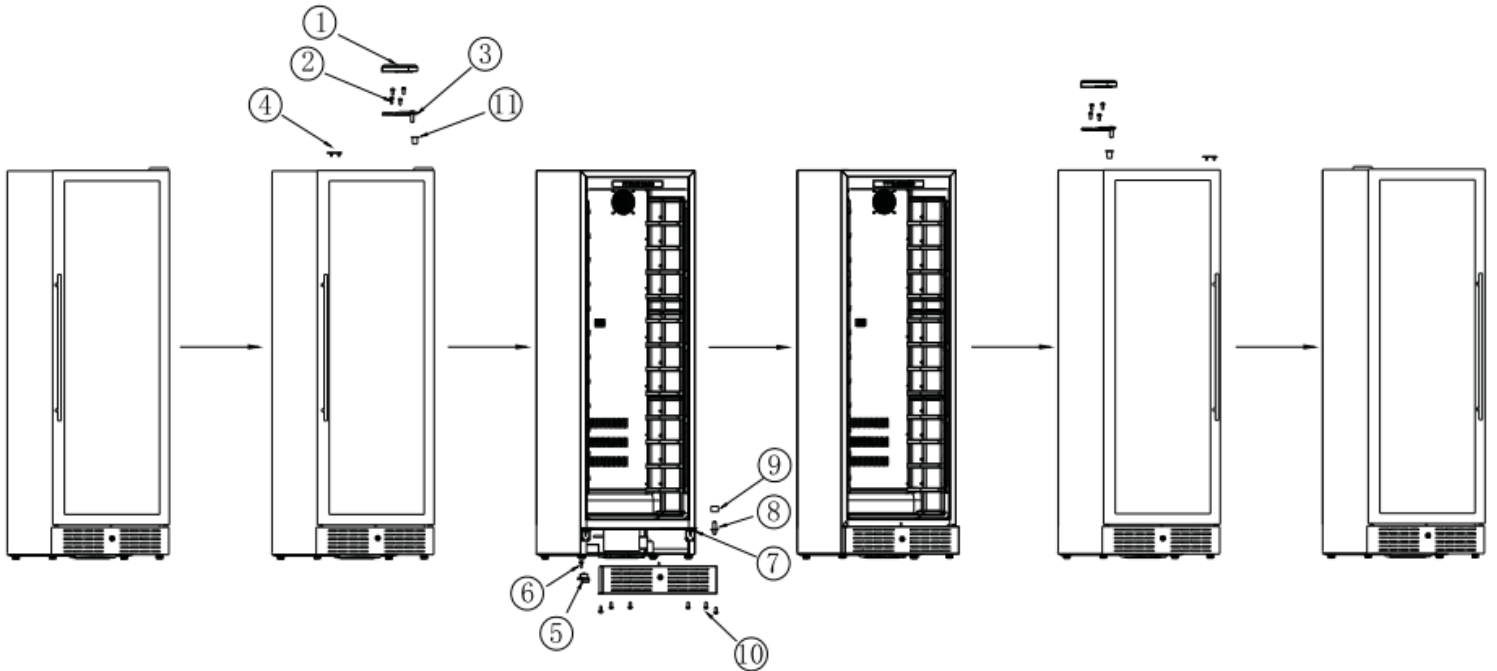


EL-168ZZ-S Reversible Door Installation Instructions



- | | |
|--------------------------------|---------------------------------|
| ① Upper hinge cover | ⑥ Screws of door drop accessory |
| ② Screws of upper hinge | ⑦ Down hinge |
| ③ Upper hinge | ⑧ Center of door shaft |
| ④ Top cover plate | ⑨ Gasket of down hinge |
| ⑤ Accessory of avoid door drop | ⑩ Screws of exhaust grill |

1. Open upper hinge cover ① and top cover plate ④, loose screws of upper hinge ② ③, remove the door.
2. Loose screws of exhaust grill ⑩ and door drop accessory ⑥, remove them.
3. Put ⑧ into the hole of left side and tighten the screws ⑤⑥ in the right side of cabinet.
4. Rotate the door 180 degrees by clockwise, align the hole of hinge with the center of door shaft ⑧ and balance the door.
5. Install screws of ③, and install ①④.