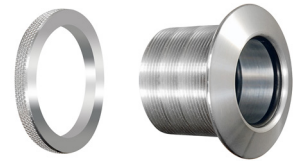


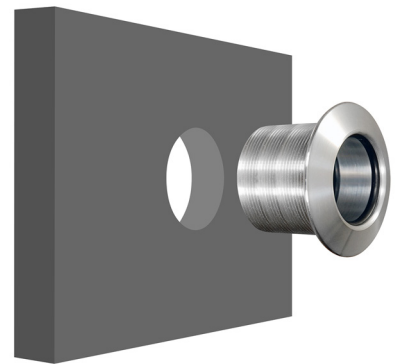
BOTTLE BING INSTALLATION INSTRUCTIONS

To install the bottle bing, please follow the below instructions:

Step 1: Separate the ring (screw/unscrew) from the main part (body) of the bottle bing.



Step 2: Insert the body into the panel



Step 3: Use the ring and secure the back of the panel until it is tight.

