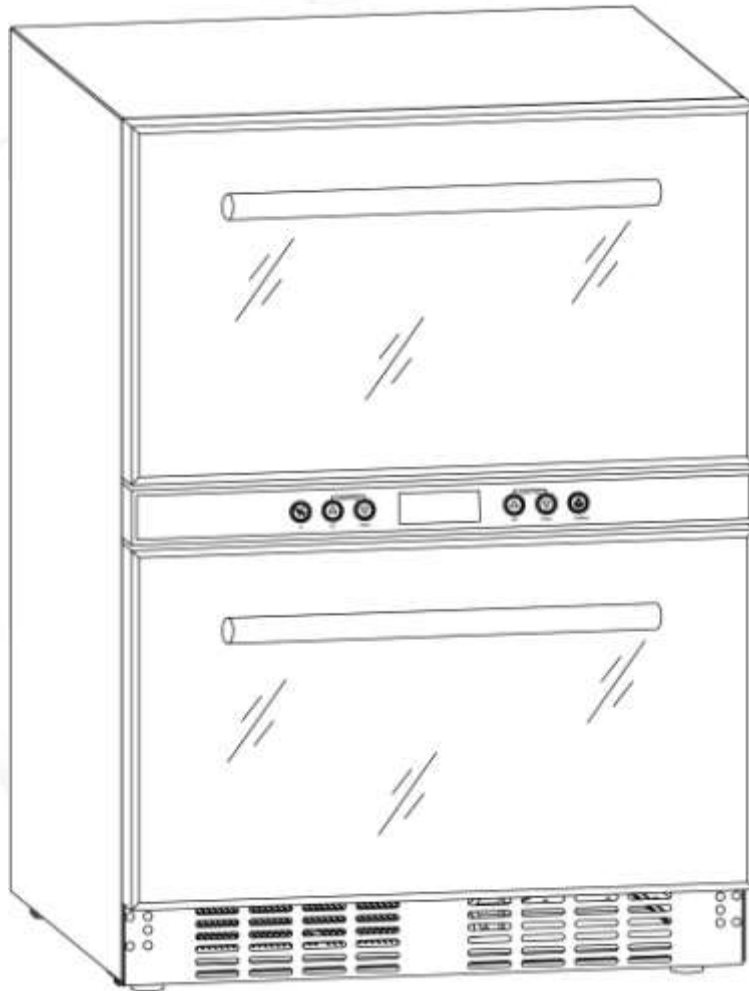


# Vinotemp®

A PROUD HERITAGE OF EXPERIENCE & QUALITY



**2 DRAWER WINE &  
BEVERAGE COOLER**  
VT-DRAW2WBC

**OWNER'S MANUAL**



[WWW.VINOTEMP.COM](http://WWW.VINOTEMP.COM)

## General Operating Instructions

Remove all external and internal packaging from your wine and beverage cooler. Be sure that all parts have been included before discarding any packaging materials. You may want to keep the box and packing materials for use at a later date.

Upon receipt and inspection of unit, the supply cord must be replaced if it is damaged. Contact our customer service at 1-800-777-8466 or [info@vinotemp.com](mailto:info@vinotemp.com).

- Let the unit rest UNPLUGGED for 24 hours once you have it placed in your home.
- Please fully read the instruction manual.
- Save these instructions.

**Please read and follow all safety rules  
and operating instructions before using.**

# TABLE OF CONTENTS

PARTS AND SPECIFICATIONS ..... 4

IMPORTANT SAFETY INSTRUCTIONS ..... 5

CORD INSTRUCTIONS ..... 6

BEVERAGE COOLER INSTALLATION ..... 6

DISPLAY PANEL ..... 7

TEMPERATURE CONTROL ..... 8

CARE AND MAINTENANCE ..... 9

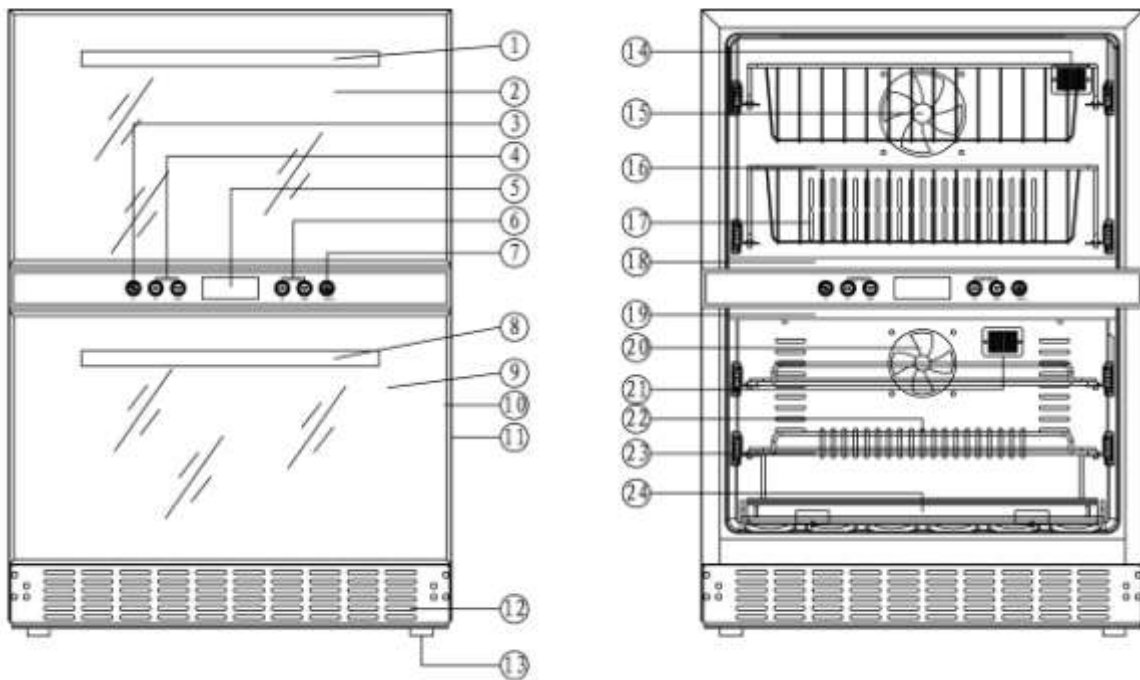
MOVING YOUR BEVERAGE COOLER ..... 9

CIRCUIT DIAGRAM ..... 9

TERMS OF SALE AND WARRANTY ..... 11

SERVICE & IMPORTANT NOTICE..... 12

## PARTS AND SPECIFICATIONS



- |                                   |                          |                                |
|-----------------------------------|--------------------------|--------------------------------|
| 1. Upper door handle              | 8. Lower door handle     | 17. Rear exhaust window        |
| 2. Upper door                     | 9. Lower door            | 18. Upper zone seal            |
| 3. Temperature switch             | 10. Panel                | 19. Lower zone seal            |
| 4. Upper zone temperature control | 11. Body                 | 20. Lower zone fan             |
| 5. Temperature display            | 12. Front exhaust grille | 21. Lower zone NTC             |
| 6. Lower zone temperature control | 13. Foot                 | 22. Rear exhaust window        |
| 7. Light On/Off switch            | 14. Upper zone NTC       | 23. Lower zone shelf           |
|                                   | 15. Upper zone fan       | 24. Right and Left slide shelf |
|                                   | 16. Upper zone shelf     |                                |

<b>Product Number</b>	VT-DRAW2WBC
<b>Type</b>	2 Temp.
<b>Capacity</b>	150L
<b>Voltage</b>	110V
<b>Current</b>	2.0A
<b>Frequency</b>	60Hz
<b>Protection class</b>	I
<b>Climate class</b>	T/ST/N/SN
<b>Input power</b>	140W
<b>Temperature control range</b>	Upper zone: 40-50°F Lower zone: 50-66°F
<b>Net weight</b>	108 Lbs
<b>Product dimensions (WxDxH)</b>	23.5" x 22.375" x 33"
<b>Package dimensions (WxDxH)</b>	27.75" x 29.25" x 38.5"

## IMPORTANT SAFETY INSTRUCTIONS

When using an electrical appliance, basic precautions should be followed to reduce the risk of fire, electric shock, and personal injury.

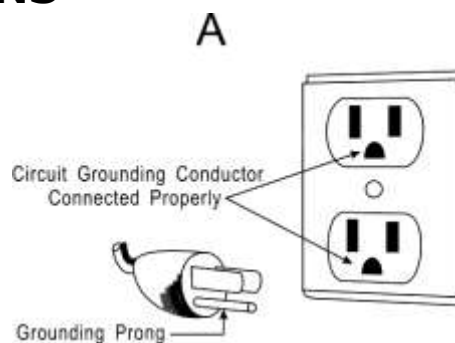
1. Use this appliance only as described in this manual. Other uses are not recommended and may cause fire, electric shock or injury.
2. This product is intended for indoor, household use.
3. To protect against electric shock, do not immerse unit, plug or cord in water or other liquids. Avoid locating the unit in moist areas.
4. Never allow children to operate, play with, or crawl inside the unit.
5. Unplug from the outlet when not in use, when moving from one location to another, or before cleaning.
6. To disconnect the appliance, grip the plug and pull it from the wall outlet. Never pull by the cord.
7. Do not operate the appliance in the presence of explosive and/or flammable fumes.
8. Do not place the appliance or any of its parts near an open flame, cooking or other heating appliance.
9. Do not operate the appliance with a damaged cord or plug. If the product malfunctions, or if it is dropped or damaged in any manner, do not use.
10. The use of attachments is not recommended and may be hazardous.
11. Do not operate if the housing is removed or damaged.
12. A loose fit plug may cause overheating and a distortion of the plug. Contact a qualified electrician to replace loose or worn outlet.
13. The appliance is intended for use in a controlled ambient location such that the ambient temperature does not exceed 110°F.
14. Locate the unit away from direct sunlight and sources of heat (stove, heater, radiator, etc.). Direct sunlight may affect/alter the outside color of the appliance.

**WARNING:** To reduce the risk of fire, electric shock or personal injury, unplug the appliance from the power supply before servicing.

**WARNING:** Risk of child entrapment. Before you throw away your old cooler, remove the door and leave the shelves in place so that children may not easily climb inside.

## CORD INSTRUCTIONS

For your protection, this unit should be properly grounded. Unit is equipped with a 3-conductor cord set that has a molded 3-prong grounding-type plug, and should be used in combination with a properly connected grounding-type outlet as shown in figure A.



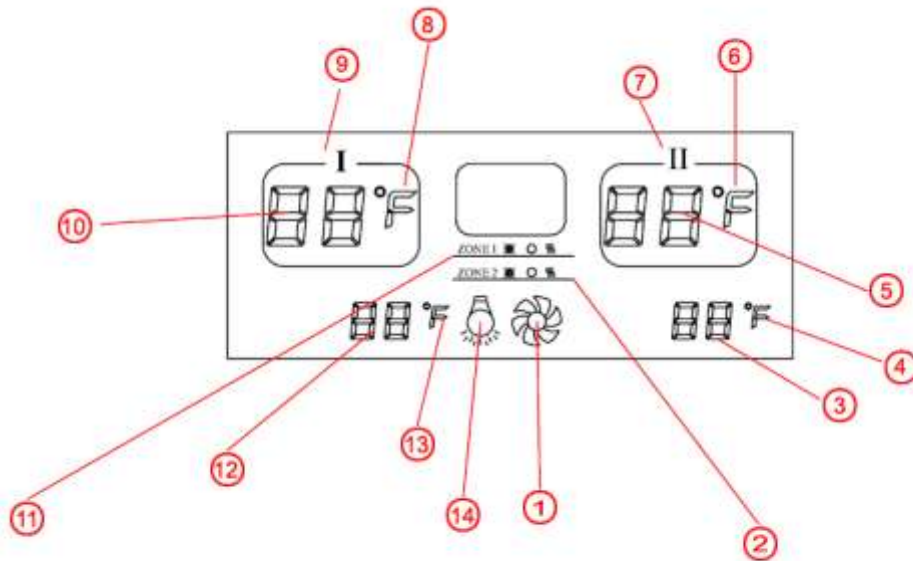
It is not recommended to use this beverage cooler with an extension cord or power board. Please ensure that the appliance is plugged directly into the electrical outlet.

## BEVERAGE COOLER INSTALLATION

- Remove the exterior and interior packaging before use.
- Check to be sure you have all of the parts and 1 owner's manual.
- Place your beverage cooler on a flat, dry surface that is strong enough to support the unit when fully loaded.
- Do not place heavy objects on top of the unit.
- Unit is not designed for installation in a garage, basement, or any other location where a controlled ambient environment between 60° and 90°F cannot be maintained.
- Do not place the unit in direct sunlight or near sources of heat. Extreme hot and cold ambient temperatures may cause the unit not to perform properly or increase electrical consumption.
- Do not place the unit next to a major appliance that emits large amounts of heat, such as a dishwasher, microwave, oven, etc.
- Do not plug unit into the same outlet as a refrigerator or microwave.
- Before connecting the appliance to the power source, let it stand upright for approximately 2 hours. This will reduce the possibility of a malfunction in the cooling system from handling during transportation.
- Clean the interior surface with lukewarm water using a soft cloth before first use.
- Do not lift unit by door handle
- Be sure front grill is free of obstruction. Obstructing free airflow can cause the unit to malfunction and will void the warranty.
- Failure to clean the condenser every six months can cause the unit to malfunction.
- Allow unit temperature to stabilize for 24 hours before use.
- To level your appliance, adjust the front legs at the bottom of the appliance.

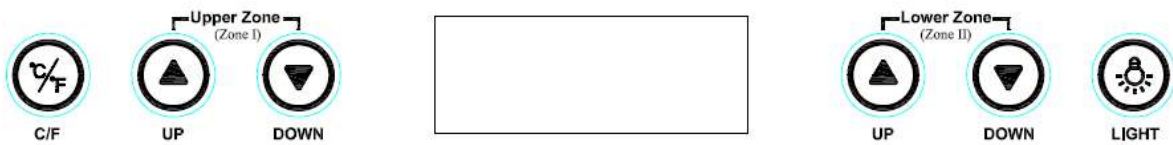
## DISPLAY PANEL

On the display panel in middle of the control panel, you can read the following information and adjust the temperature setting according to your condition:



1. Indicator of the whole unit's working status.
2. Indicator of the lower zone's working status:
  - ✖: Refrigerating.
  - : Maintaining the current temperature.
  - ☀: Heating.
3. Setting temperature of lower zone.
4. Celsius or Fahrenheit degree.
5. The current temperature of the lower zone.
6. Celsius or Fahrenheit degree.
7. Lower zone.
8. Celsius or Fahrenheit degree.
9. Upper zone.
10. The current temperature of the upper zone.
11. Indicator of the upper zone's working status:
  - ✖: Refrigerating.
  - : Maintaining the current temperature.
12. Setting temperature of upper zone.
13. Celsius or Fahrenheit degree.
14. Internal light (on/off) indicator.

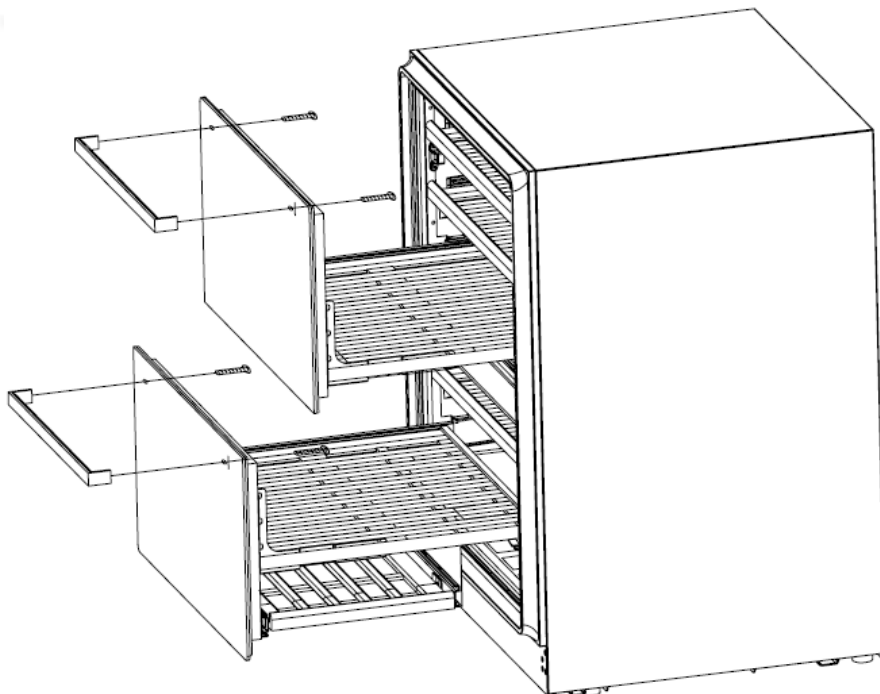
## TEMPERATURE CONTROL



- To control the upper zone temperature, use the UP and DOWN buttons on the left side to adjust the temperature by 1° increments
- To control the lower zone temperature, press UP and DOWN button on the right side to adjust the temperature by 1° increments.
- To turn on or off the internal LED lighting, press LIGHT button on the right side.
- To switch the temperature display from Celsius Degree to Fahrenheit Degree or vice versa, press C/F button.

## INSTALLING THE HANDLE

The stainless steel handle should be installed according to the following diagram:



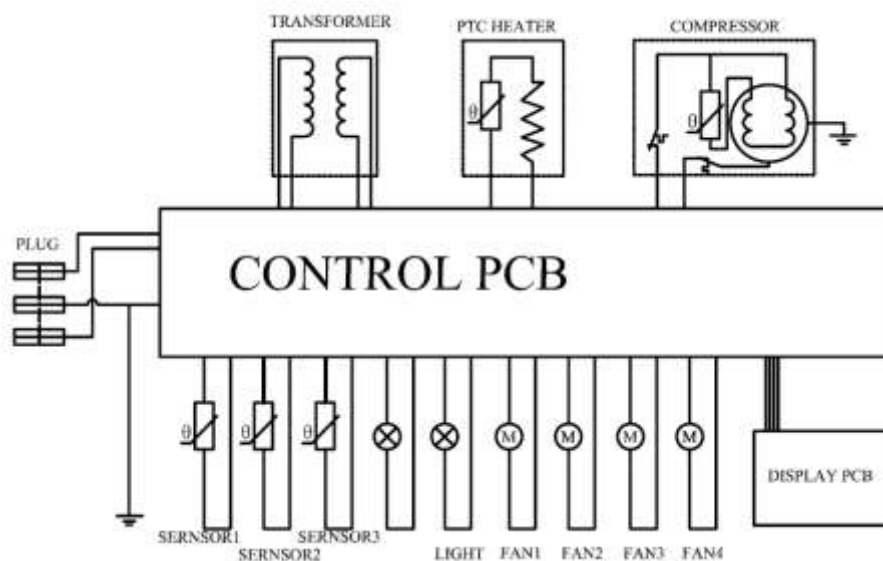
## CARE AND MAINTENANCE

- Always unplug the cooler and remove any beverage containers before cleaning.
- Do not use benzene, scrubbing brushes or chemical cleaners as these will damage the unit.
- Use only a mild, nonabrasive cleanser to clean the exterior of the cabinet.
- Wash the inside with a warm water and baking soda solution. The solution should be about 2 tablespoons of baking soda to a quart of water.
- The exterior of the cooler should be cleaned with mild detergent and warm water.
- Draw out the water box at the bottom and wash.

## MOVING YOUR BEVERAGE COOLER

- Always unplug the cooler before moving.
- Always remove all beverages before moving the cooler.
- Securely tape down all loose items (shelves) inside your appliance.
- Tape the door.
- Be careful of cabinet legs to avoid damage when moving.
- Be sure the cooler stays in the upright position during transportation
- Protect the exterior of the appliance with a blanket or similar item when moving, as needed.

## CIRCUIT DIAGRAM



## TROUBLESHOOTING GUIDE

You can solve many common cooler problems easily, saving you the cost of a service call. Try the suggestions below to see if you can solve the problem before contacting Vinotemp at [info@vinotemp.com](mailto:info@vinotemp.com).

<b>PROBLEM</b>	<b>POSSIBLE CAUSE</b>
Unit does not operate	<ul style="list-style-type: none"> <li>• Unit is not plugged in or you may be using a different voltage.</li> <li>• The circuit breaker may be tripped or a fuse may be blown.</li> </ul>
Unit is not cold enough	<ul style="list-style-type: none"> <li>• Check the temperature control setting.</li> <li>• External environment may require a higher setting.</li> <li>• The door is opened too often.</li> <li>• The door is not closed completely.</li> <li>• The door seal does not seal properly.</li> <li>• The unit does not have the correct clearance.</li> </ul>
The light does not work.	<ul style="list-style-type: none"> <li>• Check the light bulb.</li> </ul>
Vibrations	<ul style="list-style-type: none"> <li>• Check to make sure the unit is level.</li> </ul>
Unit makes too much noise.	<ul style="list-style-type: none"> <li>• The unit is not level.</li> <li>• Check the fan.</li> </ul>
The door will not close properly.	<ul style="list-style-type: none"> <li>• The wine cooler is not level.</li> <li>• The doors were reversed and not properly installed.</li> <li>• The seal is weak.</li> <li>• The shelves are out of position.</li> </ul>
LCD does not display.	<ul style="list-style-type: none"> <li>• Main control board does not work.</li> <li>• There is a problem with the PCB.</li> <li>• There is a problem with the plug.</li> </ul>

# TERMS OF SALE AND WARRANTY

Vinotemp International ("Seller") and the person or entity that acquires these goods from Seller ("Purchaser") hereby fully agree to the following terms and conditions of the sale: Shipping fees are the responsibility of the Purchaser whether freight prepaid or freight collect. Seller assumes no responsibility for the goods sold to the Purchaser once the goods have left the Seller's premises, including, but not limited to, late delivery by the moving carrier, or for events caused by any difficulty carrier incurs in attempting to fit the goods into the Purchaser's place of business or residence due to the size of the goods or otherwise. Purchaser assumes all responsibility for delivery, payment of freight, access, measurement, installation, hook-up, wiring, moving and storage of the goods. The transportation of all goods is subject to the terms and conditions which the moving carrier imposes on Purchaser including, but not limited to, additional charges imposed per flight of stairs, and/or additional charges resulting from the carrier's inability to safely and/or adequately use the building elevator to lift the goods to an upper floor. Any claim for damages incurred during shipment by the carrier of the goods are insured and handled directly with the carrier and must be noted at time of delivery. Any damages due to manufacture defects will be handled directly with Vinotemp International, subject to the limited warranty.

All sales are final, and unless authorized in writing by the Seller, Purchaser may not return the goods, under any circumstance. If Purchaser refuses to accept the goods, under any circumstance, the Purchaser is liable for the return and cost of freight both ways, and if Seller does take back the goods, there will be a restocking charge that is 35% of the purchase price of the goods. (Product must be in original packaging). Built-to-Order products (including Cabinets, Racking, and Accessories) are non-returnable. Purchaser must notify Seller of non-conforming goods within four days of delivery, after which time all goods are deemed accepted. If an order has been placed and production has started, cancellation of your order will be a 15% charge. If Purchaser tenders payment with a check that has insufficient funds (NSF), or stops payment on a check or credit card for any reason, Purchaser agrees to pay for all costs associated with the Seller's collection or litigation of such a claim, including without limitation extra damages, court costs and attorneys' fees. Finance charges begin the date of invoice. Collection fees plus NSF fee of \$50 will be added to your invoice, which you agree to promptly pay. Title to the goods does not pass until payment is received in full by Seller and Seller retains a security interest in the goods until they are paid for in full.

**LIMITED WARRANTY:** Seller warrants that the goods will be free of defects in materials and workmanship as follows: Furniture style (wood) wine cabinets: all cooling unit parts for a period of 5 (five) years; cabinetry and labor (uninstalled) for a period of 12 (twelve) months from date of sale. For the metal cabinet wine units: parts and labor for cooling system and cabinetry for a period of 12 (twelve) months from date of sale. Thermoelectric Units: 90 (ninety) days from the date of sale (including Wine Coolers, Beer Dispensers, Humidor, Portofino Wood Cellars, and Refrigerators). Wine-Mate Split Systems and installed products are parts only for 1 year, no labor. Other Wine-Mate Cooling Systems are 5 years parts, 1 year labor. Wine Accessories and Racking Systems are not warranted. There is no warranty on parts purchased separately. Removal and re-installation of unit is not included in warranted labor. Purchaser's exclusive remedy is limited, at Seller's option; to repair or replace defective part[s] with either new or factory reconditioned part[s]. Purchaser is responsible for shipping the unit pre-paid to designated facility and Seller will pay return shipping charges in the continental United States for items repaired under warranty within 12 (twelve) months from date of sale. Since the natural variation in texture, density, grain, color, tone and shade of wood is unavoidable; Seller does not guarantee the texture, color, tone or shade of the wood: nor does seller guarantee the colorfastness of wood or against peeling, chipping, cracking or scratching. Note: Unfinished wood is subject to warping; all wood surfaces must be sealed before placing cellar into service. Improper placement of the unit will void the warranty. By Vinotemp in writing, any third party repair facility must be pre-approved before providing parts free of charge. This limited warranty does not cover damage due to such things as accident, misuse, abuse, mishandling, neglect, acts of God, fires, earthquakes, floods, high winds, government, war, riot or labor trouble, strikes, lockouts, delay of carrier, unauthorized repair, or any other cause beyond the control of the Seller, whether similar or dissimilar to the foregoing. Seller is not responsible for any damages caused to Purchaser's property resulting from the good. This limited warranty applies only inside the Continental US. (Alaska, Puerto Rico and Hawaii are not warranted.)

For Non-New Units (Scratch & Dent/Refurbished/Floor Models), warranty for compressor units is 90 days from your dated invoice and 30 days for thermoelectric units (parts for function only, not cosmetic defects). These units are refurbished and sold as is; Purchaser assumes risks to the quality and performance of goods and assumes the costs of all necessary service or repair not covered herein.

For Element Grills (via Element Products LLC), grills have a 1 year comprehensive parts warranty on entire product. Three years limited parts warranty covering the stainless burner and a thirty day limited parts warranty on grill accessories. If grill is defective and unused plus all packaging and parts are intact, we will either replace the grill or provide service to repair the grill. Returned product must accompany all original packaging and parts and is subject to our 35% restocking fee (and freight both ways).

With Wine-Mate products, if the customer calls and the product is "defective", you must obtain a letter from your qualified refrigeration technician at the customer's cost, to verify that the unit was installed properly, with proper ventilation and the unit is truly malfunctioning due to manufacture defect.

Purchaser understands and acknowledges that the goods sold here are wine cellars, cigar humidors, and/or other similar units which house wine or cigars. Purchaser assumes all risk of using these units, including risk of spoilage, humidity variations, temperature variations, leaks, fire, water damage, mold, mildew, dryness and similar and any other perils that might occur. Seller is not responsible for incidental or consequential damages, and there are no warranties, expressed or implied, which extend beyond the Limited Warranty described above. The implied warranties of merchantability and of fitness for a particular purpose are hereby expressly disclaimed. Some states do not allow the exclusion of incidental or consequential damages, or a waiver of the implied warranties of fitness and/or merchantability, so the above limitations may not apply to you. This warranty gives you specific legal rights and you may also have other rights which vary from state to state. In the event of any dispute between Seller and Purchaser arising out of or relating to these terms and conditions or to the goods sold generally, Purchaser must first file a written claim with Seller within ten days of the occurrence giving rise to the claim and wait an additional thirty days for a response before initiating any legal action. The sale and all terms are subject to California law. Any legal proceeding arising out of or relating to these terms and conditions or to the goods sold generally shall be brought solely and exclusively in the County of Los Angeles. In no event may Purchaser initiate any legal proceeding more than six months after the occurrence of the event giving rise to the dispute.

The above terms and conditions are the only ones governing this transaction and Seller makes no oral representations of any kind. These Terms and Conditions can only be modified in writing, signed by both Purchaser and Seller. 06/11

## **SERVICE & IMPORTANT NOTICE**

Upon receipt and inspection of unit, the supply cord must be replaced if it is damaged. Contact our customer service at 1-800-777-8466 or [info@vinotemp.com](mailto:info@vinotemp.com).

The manufacturer has a policy of continuous improvement on its products and reserves the right to change materials and specifications without notice.

### **WARNING:**

**Please do not place the unit within reach of children.  
For adult use only.**

Contact **[info@vinotemp.com](mailto:info@vinotemp.com)** with any questions or visit:  
**[www.vinotemp.com](http://www.vinotemp.com)**



17621 S. Susana Road  
Rancho Dominguez, CA 90221  
[www.vinotemp.com](http://www.vinotemp.com)

Vinotemp is a registered trademark of Vinotemp International. All products, features, and services are subject to change without notice. We cannot guarantee the accuracy of the contents of this document. We disclaim liability for errors, omissions, or future changes.

© 2011 Vinotemp International. All rights reserved.